

## Product Data sheet : Hall Effect Current Sensor - HE050...300T03

Date : 02.09.2013

Rev : 04

Page 1 of 2

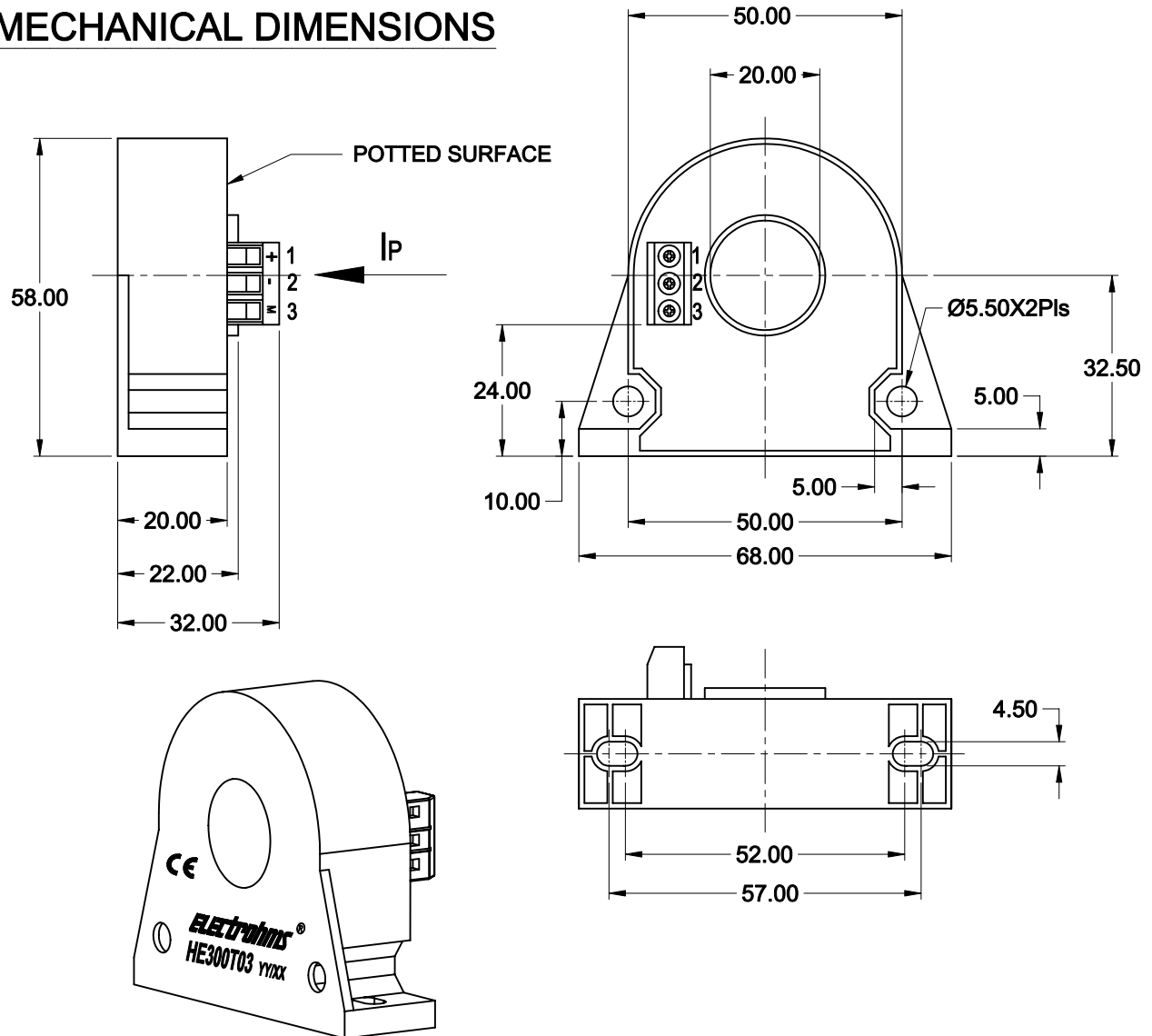
Customer: Standard

Customer's part No.: ---

 RoHS Compliant



### ● MECHANICAL DIMENSIONS

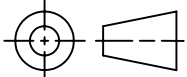


### ● APPLICATION :

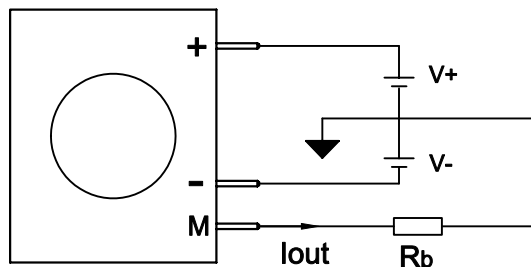
Used for measurement of electric current, AC, DC, Pulsed in electrical & electronic equipment.

### ● FEATURES :

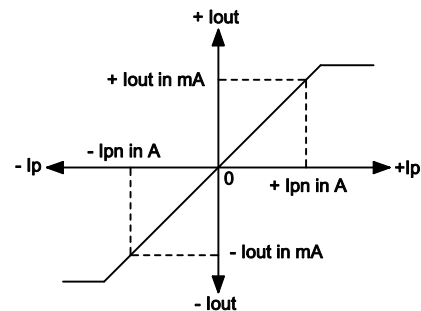
- Closed loop current sensor.
- Flange mounting type.
- Current output.
- All relevant materials are UL approved

GENERAL TOL. ±0.5 mm	
ALL DIMENSIONS ARE IN 'mm'	SCALE -NTS

## ● CONNECTIONS DIAGRAM



## ● INPUT & OUTPUT CHARACTERISTICS



+ Ip Indicates primary current flowing in the direction of the arrow

## ● SPECIFICATIONS @ 25° C \*\*

PARAMETERS	HE050T03	HE100T03	HE200T03	HE300T03	UNITS
Primary Nominal Current (Ipn)	50	100	200	300	A
Primary Measuring Range (Ip)	± 75	± 150	± 300	± 500	A
Burden Resistance (Rb) @ ± 15V, Ipn @ ± 15V, Ip	504 (max.) 327 (max.)	237(max.) 147(max.)	100(max.) 56(max.)	56(max.) 21(max.)	Ω
Conversion Ratio (K)	2000 : 1				---
Current output @ Ipn (Iout)	25	50	100	150	mA
Supply Voltage (V+ / V-), ±5%	+/- 12 to +/-18				V
Current consumption @ ±15V (Ic)	20 + Iout				mA
Accuracy	+/- 0.70				%
Linearity	≤ 0.1				%
Output offset current @ Ip = 0.	< ±0.25				mA
Temperature variation of Iout (-40 to +85°C)	±0.15 (Typical)				mA
Response time 90% of Ipn step	< 1.0				μs
di/dt Accurately followed	> 100				A/μs
Frequency bandwidth @ -3dB (fbw)	DC to 100				kHz
Secondary coil resistance	25 (Typical)				Ω
Dielectric strength Pri to Output terminals	2.5				kVrms
Operating Temperature Range	- 40 to + 85				°C
Storage Temperature	- 40 to + 90				°C
Weight	81 Typ.				g
Standards :	EN 55011 / CISPR 11 EN 61000-4-2 / IEC 61000-4-2 EN 61000-4-3 / IEC 61000-4-3 EN 61000-4-8 / IEC 61000-4-8				

\*\* Specifications subject to change.

Note : ---