

Product Data sheet : Current Transformer- CT1267-A1-RC

Date : 24.07.2015

Rev : 02

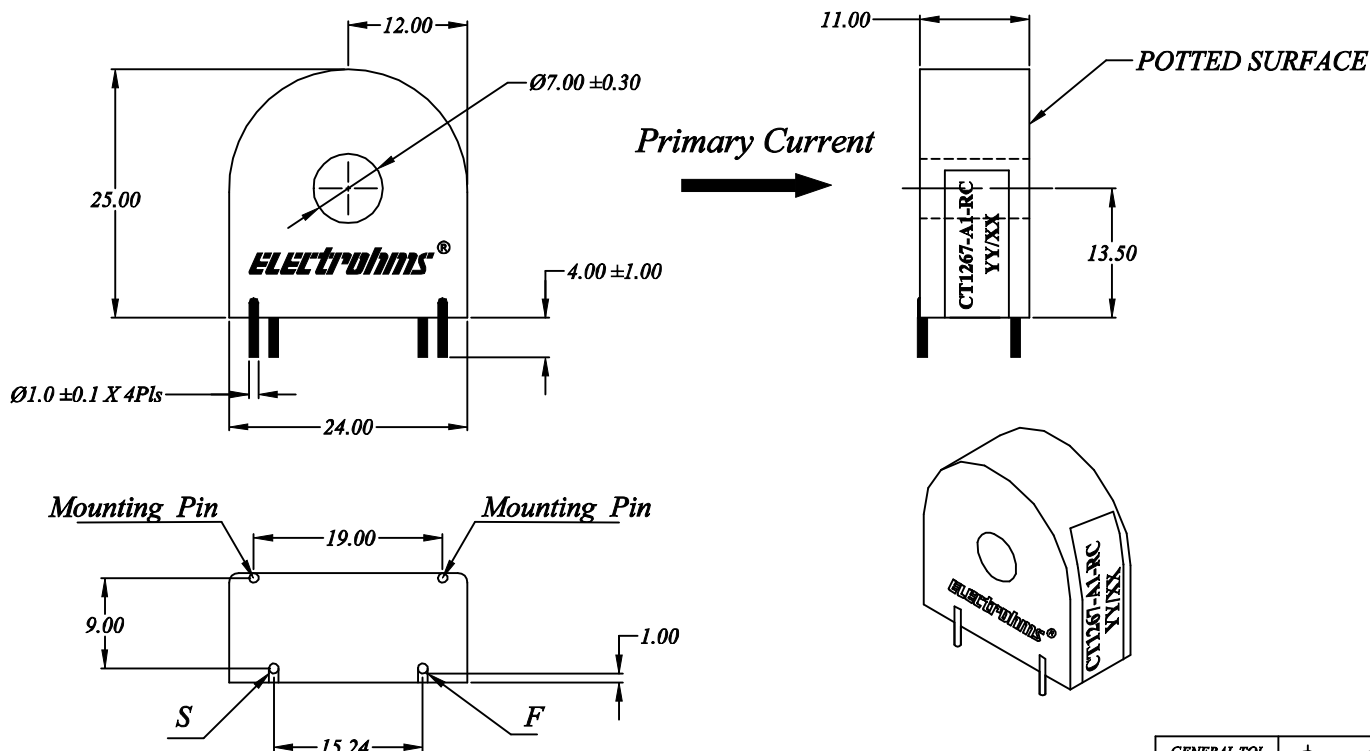
Page 1 of 1

Customer: Standard Type

Customer's part No.: ---

MECHANICAL DIMENSIONS

RoHS Compliant



Termination:- F : Finish, S : Start

GENERAL TOL. ±0.5 mm	
ALL DIMENSIONS ARE IN 'mm'	SCALE - NTS

FEATURES :

- Low Amplitude Error & Phase Error.
- Encapsulated & P.C. Mountable.
- Whole Current application.

SPECIFICATIONS @ 25° C **

PARAMETERS	VALUES
Current Range	0.25 – 40 Arms
Frequency of Operation	50/60 Hz
D C R	86-105 Ω
Turns Ratio	1 : 2500
Recommended Secondary Burden	30.0 Ω (Resistive)
Amplitude Error	<0.1%
Phase Error	<0.25°
Inductance @ 0.15 Vrms, 50Hz, Lp	≥ 133 H
Dielectric strength Pri to secondary	2.5kV
Operating Temperature Range	- 40 °C to + 70 °C.
Storage Temperature Range	- 40 °C to + 85°C.

** Specifications subject to change.

All materials used in the manufacture of this product are RoHS Compliant.

Note :

Amplitude error and Phase error values are guaranteed with recommended Secondary burden. Refer to ELECTROHMS Product Design Group for use of burden other than recommended Secondary burden.

Electrohms Pvt. Ltd.,
Unit 1: #67/6-1, Ullas Theatre Road,
Industrial suburb,
Yeshwanthpur,
Bengaluru - 560 022, India.

www.electrohms.com
e-mail: sales@electrohms.com

Unit 2: #129 EPIP 2nd phase,
KIADB Industrial area,
Whitefield,
Bengaluru - 560 066, India.