

Product Data sheet : Current Transformer- CT1275-A1-RC

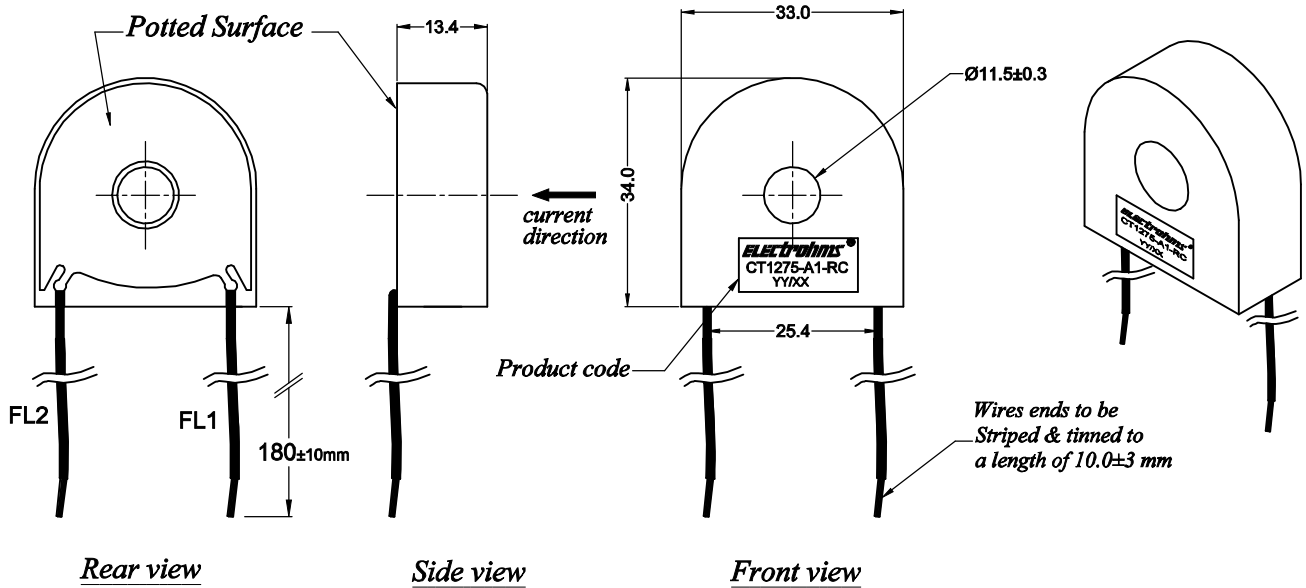
Date : 10.09.2015

Rev : 02

Page 1 of 1

Customer: Standard Type

Customer's part No.: ---

MECHANICAL DIMENSIONS**Pb** RoHS Compliant

FL1 : WIRE-PVC, 7X0.2mm 24 AWG, Red (Start)
 FL2 : WIRE-PVC, 7X0.2mm 24 AWG, Black (Finish)

GENERAL TOL. ±0.5 mm	
ALL DIMENSIONS ARE IN 'mm'	SCALE - NTS

FEATURES :

- Low Amplitude Error & Phase Error.
- Suitable for High accuracy whole current meters.

SPECIFICATIONS @ 25° C **

PARAMETERS	VALUES
Current Range	1 – 100 Arms
Frequency of Operation	50/60 Hz
Half wave rectified sine wave, current amplitude	---
D C R	37-47 Ω
Turns Ratio	1 : 2500
Recommended Secondary Burden	7.5 Ω (Resistive)
Amplitude Error	0.1% (Typical)
Amplitude Error (linearity)	---
Phase Error	0.2° (Typical)
Inductance @ 100Hz, 0.3Vrms, Ls	≥93H
Operating Temperature Range	- 40 °C to + 70 °C.

** Specifications subject to change.

Note :

Amplitude error and Phase error values are guaranteed with recommended Secondary burden. Refer to ELECTROHMS Product Design Group for use of burden other than recommended Secondary burden.

Electrohms Pvt. Ltd.,
 Unit 1: #67/6-1, Ullas Theatre Road,
 Industrial suburb,
 Yeshwanthpur,
 Bengaluru - 560 022, India.

www.electrohms.com
 e-mail: sales@electrohms.com

Unit 2: #129 EPIP 2nd phase,
 KIADB Industrial area,
 Whitefield,
 Bengaluru - 560 066, India.