

## Product Data sheet : Current Transformer- CT1278

Date : 01.02.11

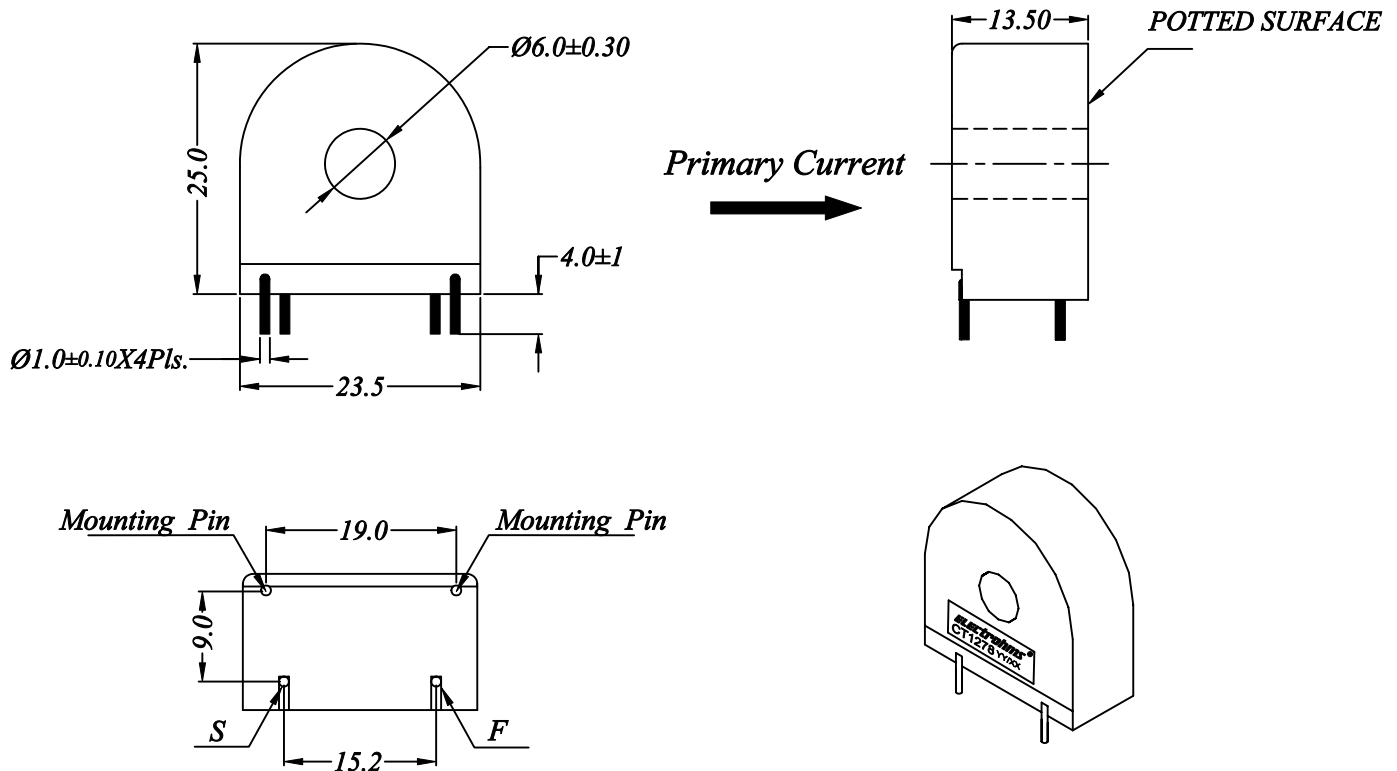
Rev : 03

Page 1 of 1

Customer: Standard Type

Customer's part No.: ---

### MECHANICAL DIMENSIONS



Termination:- F : Finish, S : Start

GENERAL TOL. ±0.5 mm	
ALL DIMENSIONS ARE IN 'mm'	SCALE - NTS

### FEATURES :

- Whole Current application.
- Encapsulated & P.C. Mountable.

### SPECIFICATIONS @25°C\*\*

PARAMETERS	VALUES
Current Range	5 Arms
Frequency of Operation	50/60 Hz
D C R@ 25°C	219 - 279 Ω
Turns Ratio	1 : 4000
Recommended Secondary Burden	390 Ω (Resistive)
Amplitude Error	< 3%
Phase Error	---
Operating Temperature Range	- 10 °C to + 60 °C.

\*\* Specifications subject to change.

### Note :

Amplitude error and Phase error values are guaranteed with recommended Secondary burden. Refer to ELECTROHMS Product Design Group for use of burden other than recommended Secondary burden.

**Electrohms Pvt. Ltd.,**  
Unit 1: #67/6-1, Ullas Theatre Road,  
Industrial suburb,  
Yeshwanthpur,  
Bengaluru - 560 022, India.

www.electrohms.com  
e-mail: sales@electrohms.com

Unit 2: #129 EPIP 2nd phase,  
KIADB Industrial area,  
Whitefield,  
Bengaluru - 560 066, India.