

Product Data sheet : Hall Effect Current Sensor - HE500T02

Date : 10.10.2015

Rev : 04

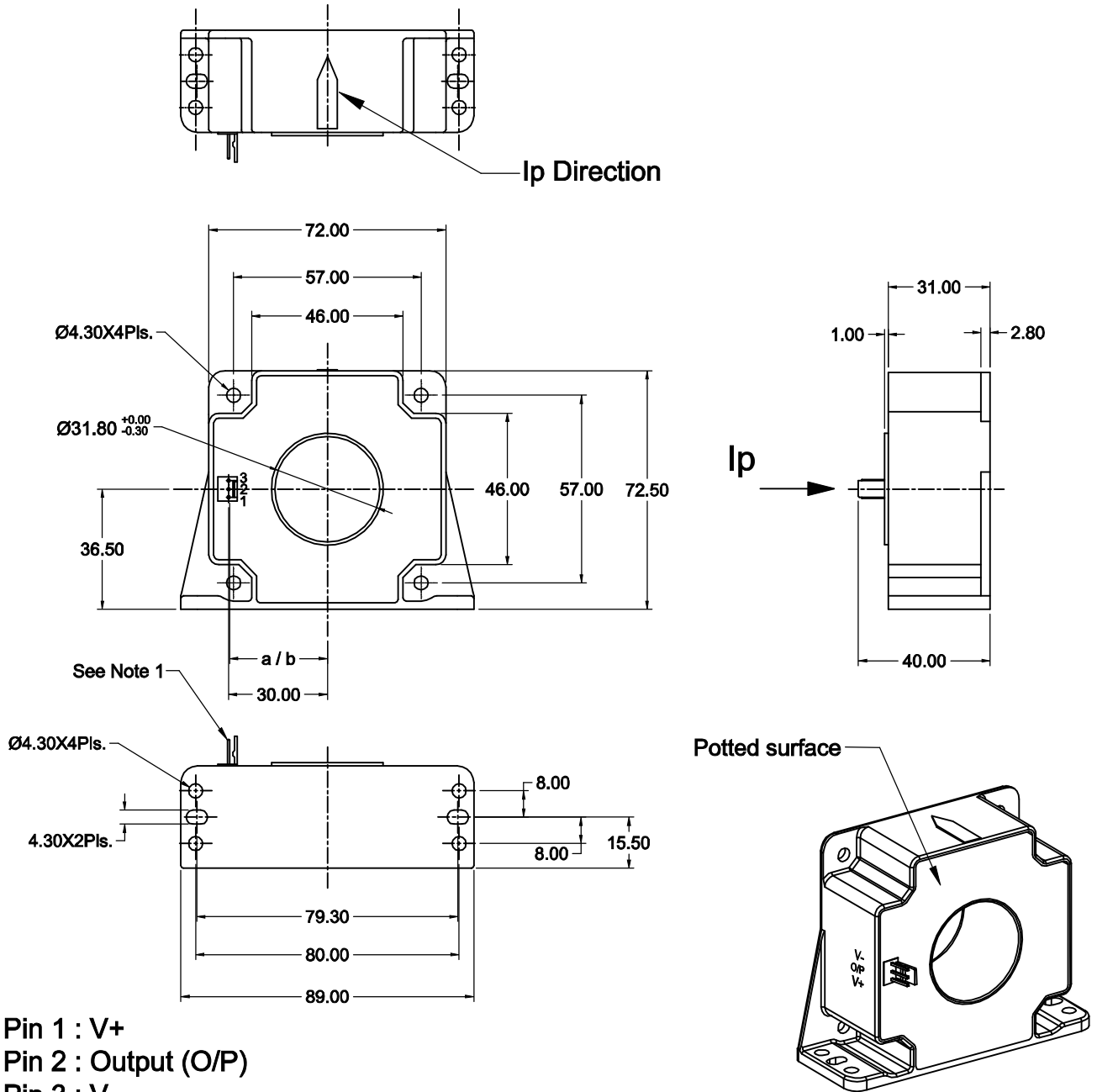
Page 1 of 2

Customer: ---

Customer's part No.: ---

Pb RoHS Compliant

● MECHANICAL DIMENSIONS



- Pin 1 : V+
- Pin 2 : Output (O/P)
- Pin 3 : V-

● APPLICATION :

Used for measurement of electric current, AC, DC, Pulsed in electrical & electronic equipment.

● FEATURES :

- Closed loop current sensor.
- Panel mounting type.
- Current output.
- All Relevant material are UL approved.
- Plastic outer casing flammability rating UL94-V0.

GENERAL TOL. ±0.5 mm	
ALL DIMENSIONS ARE IN 'mm'	SCALE -NTS

