

Product Data sheet : Hall Effect Current Sensor - HL050...600T01

Date : 05.08.2013

Rev : 02

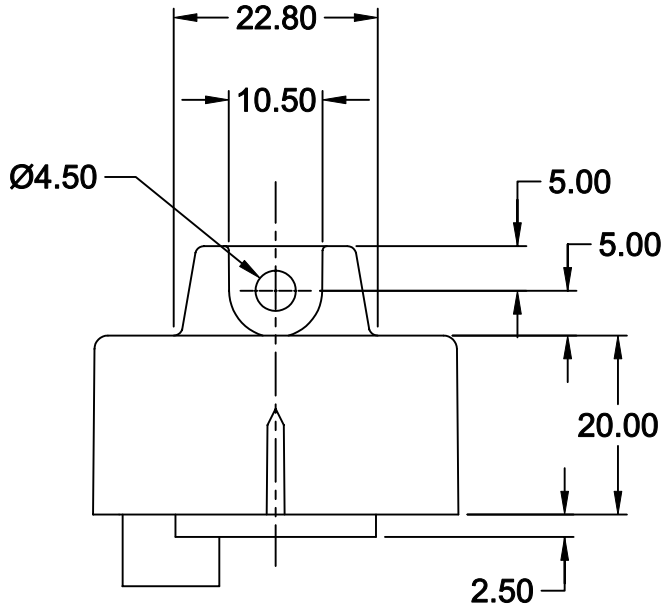
Page 1 of 3

Customer: Standard

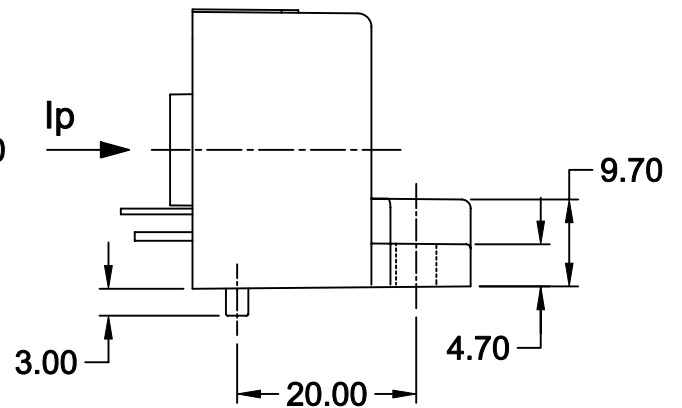
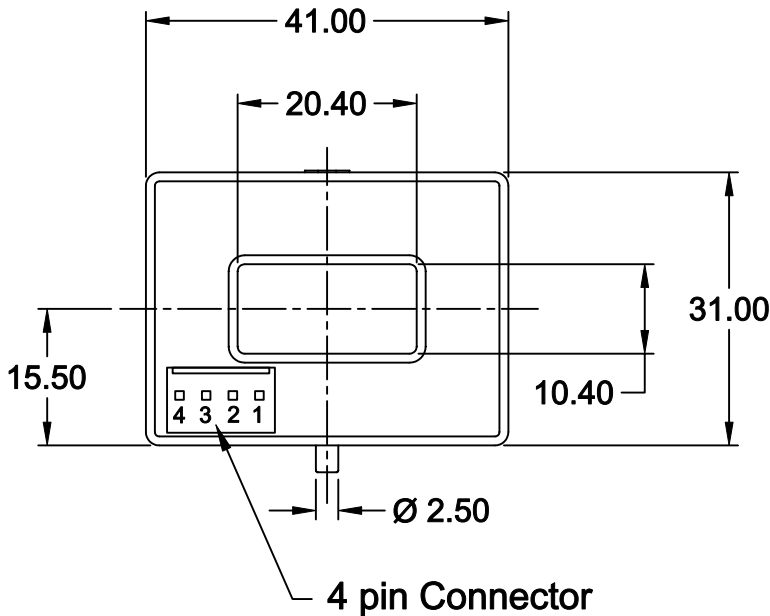
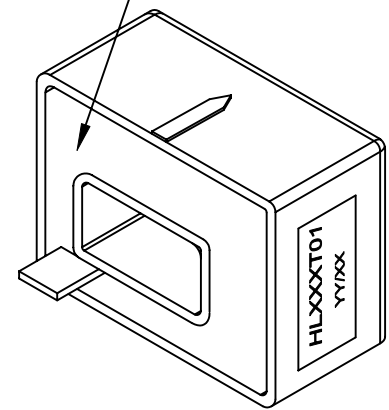
Customer's part No.: ---

Pb RoHS Compliant

● MECHANICAL DIMENSIONS

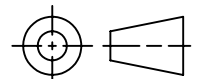


Potted surface



- Pin 1 : Vref (IN/OUT)
- Pin 2 : Output
- Pin 3 : Ground (0 V)
- Pin 4 : Supply Voltage (+ VCC)

GENERAL TOL.
±0.5 mm



ALL DIMENSIONS
ARE IN 'mm'

SCALE -NTS

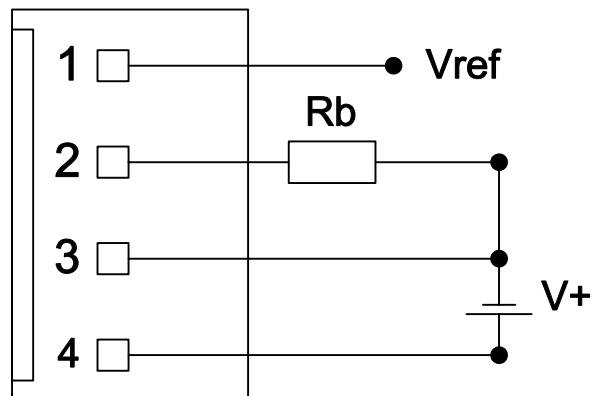
● APPLICATION :

Used for measurement of electric current, AC, DC, Pulsed in electrical & electronic equipment.

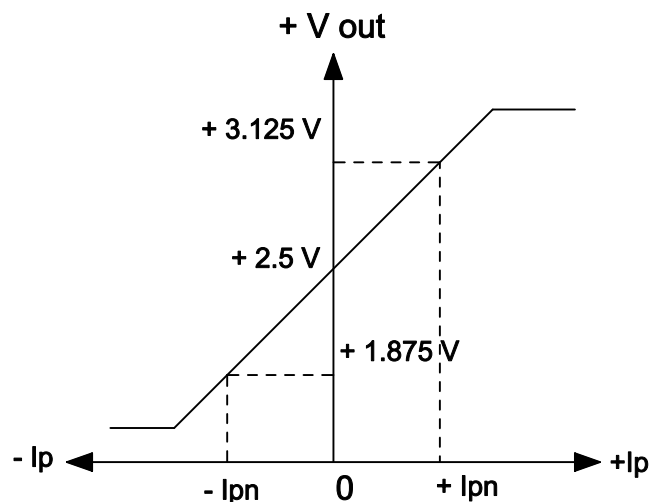
● FEATURES :

- Open loop current sensor.
- Voltage output.
- Flange Mountable.
- Single supply operation

● CONNECTION DIAGRAM



● INPUT & OUTPUT CHARACTERISTICS



+ Ip Indicates primary current flowing in the direction of the arrow

PRIMARY NOMINAL CURRENT I _{pn} (A)	PRIMARY MEASURING RANGE I _p (A)	PRODUCT CODE
50	± 150	HL050T01
100	± 300	HL100T01
200	± 600	HL200T01
300	± 900	HL300T01
400	± 900	HL400T01
500	± 900	HL500T01
600	± 900	HL600T01

● SPECIFICATIONS @ 25° C **

PARAMETERS	VALUES	UNITS
Burden Resistance (R _b)	2000 (min.)	Ω
Reference Voltage (V _{ref.})	2.50 ± 0.025	V
Voltage output @ I _{pn} = 0 (V _{offset})	V _{ref.} ± 0.025	V
Voltage output @ I _{pn}	2.5 V +/- 0.625	V
Supply Voltage (V ₊) (±5%)	+5.0	V
Current consumption @ +5V (I _c)	15	mA
Accuracy	≤ +/- 2.0	% of I _{PN}
Linearity	≤ 0.5	% of I _{PN}
Temperature coefficient of V _{offset} (Typical)	0.3	mV / K
Temperature coefficient of V _{out} (% of reading)	0.05	% / K
Reaction time 10% I _{pn} step	2.5	μs
Response time 90% of I _{pn} step	4.5	μs
Frequency bandwidth @ -3 dB (fbw)	DC to 50	kHz
di/dt accurately followed	> 100	A/μs
Dielectric strength Primary to o/p terminals	3.5	kVrms
Operating Temperature Range	- 40 to + 85	°C
Storage Temperature	- 40 to + 85	°C
Weight	70	g

** Specifications subject to change.

Note :

Electrohms Pvt. Ltd.,
Unit 1: #67/6-1, Ullas Theatre Road,
Industrial suburb,
Yeswanthpur,
Bengaluru - 560 022, India.

www.electrohms.com
e-mail: sales@electrohms.com

Unit 2: #129 EPIP 2nd phase,
KIADB Industrial area,
Whitefield,
Bengaluru - 560 066, India.