

## Product Data sheet : Hall Effect Current Sensor - HK050...500T03

Date : 01.08.2012

Rev : 03

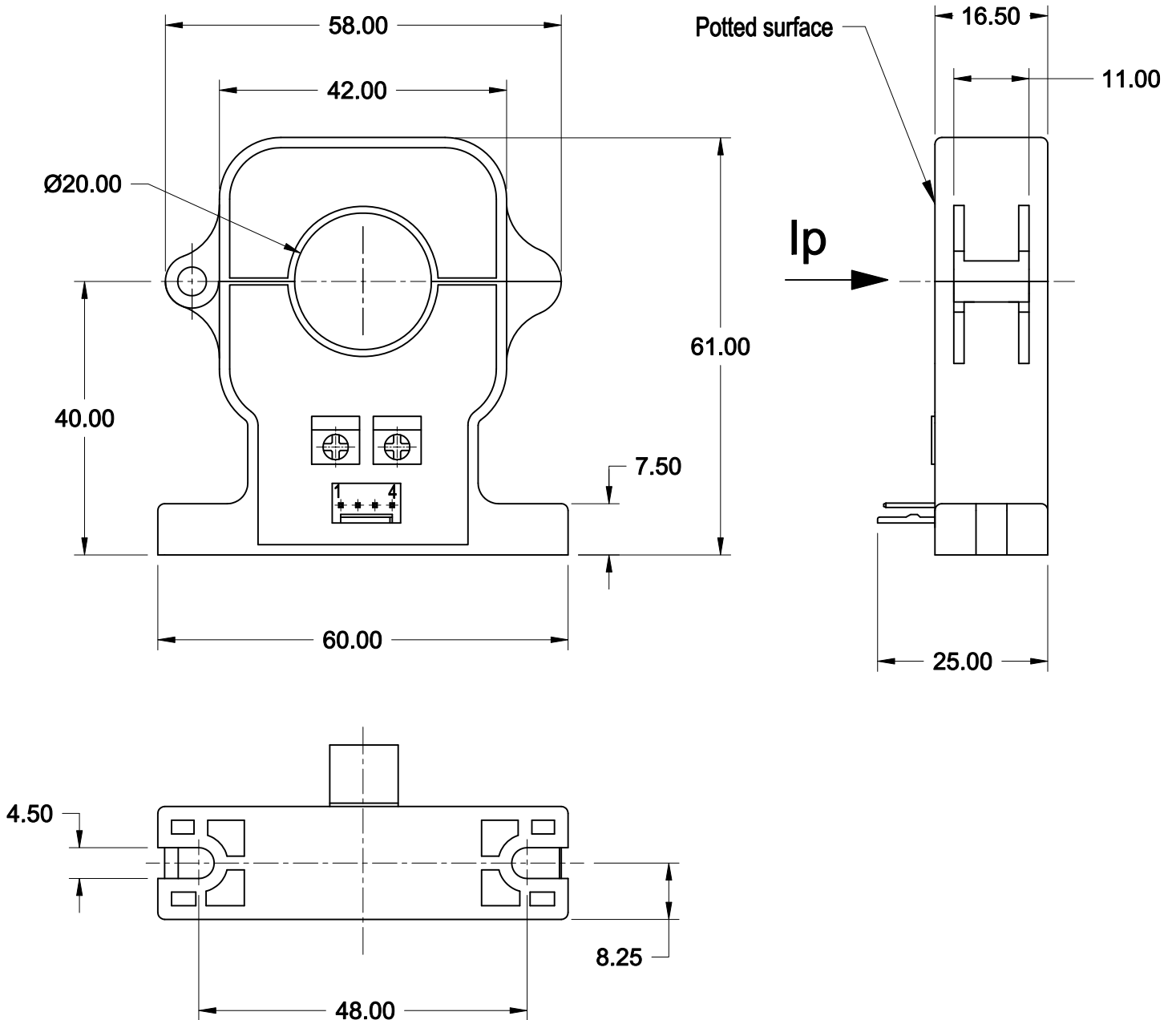
Page 1 of 3

Customer: Standard

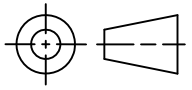
Customer's part No.: ---

 RoHS Compliant

### ● MECHANICAL DIMENSIONS



- Pin 1 : Supply Voltage(+Vcc)
- Pin 2 : Supply Voltage(-Vcc)
- Pin 3 : Output (Vout)
- Pin 4 : Ground (0V)

GENERAL TOL. $\pm 0.5$ mm	
ALL DIMENSIONS ARE IN 'mm'	SCALE -NTS

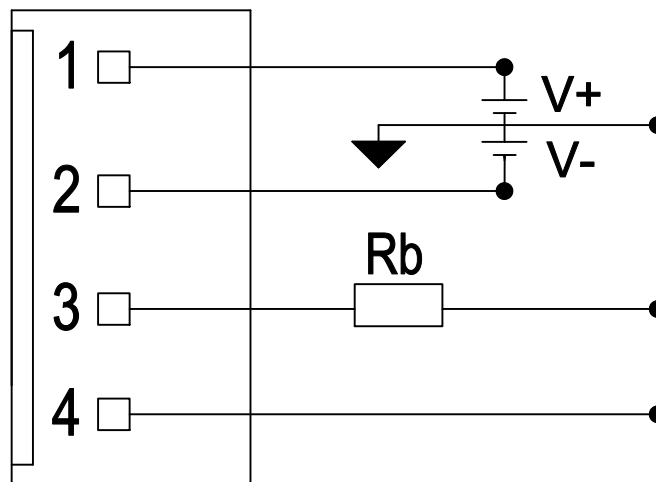
## ● APPLICATION :

Used for measurement of electric current, AC, DC, Pulsed in electrical & electronic equipment.

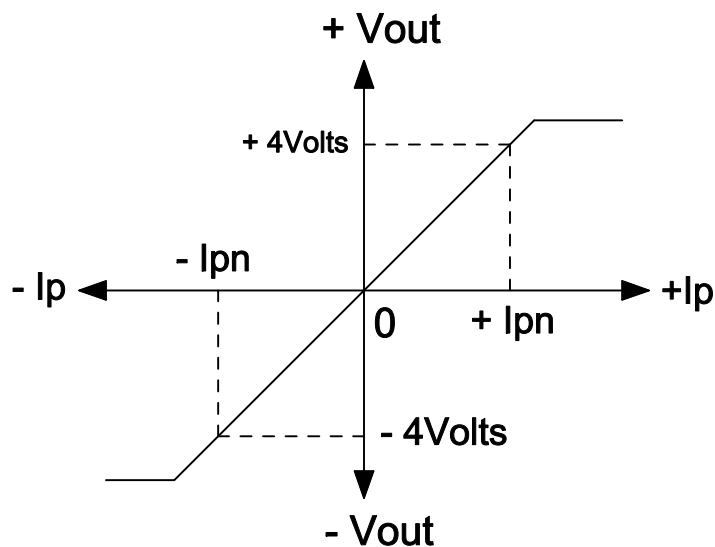
## ● FEATURES :

- Split core type
- Open loop current sensor.
- Voltage output.
- Flange Mountable.

## ● CONNECTION DIAGRAM



## ● INPUT & OUTPUT CHARACTERISTICS



+ Ip Indicates primary current flowing in the direction of the arrow

PRIMARY NOMINAL CURRENT I <sub>pn</sub> (A)	PRIMARY MEASURING RANGE I <sub>p</sub> (A)	PRODUCT CODE
50	± 100	HK050T03
100	± 200	HK100T03
200	± 400	HK200T03
300	± 600	HK300T03
400	± 800	HK400T03
500	± 800	HK500T03

● SPECIFICATIONS @ 25° C \*\*

PARAMETERS	VALUES	UNITS
Burden Resistance (R <sub>b</sub> )	10000 (min.)	Ω
Voltage output @ I <sub>pn</sub> (V <sub>out</sub> )	± 4.0 ±2%	V
Supply Voltage (V <sub>+</sub> / V <sub>-</sub> )	± 12 to 15	V
Current consumption @ +15V (I <sub>c</sub> )	25.0	mA
Accuracy	± 2.0	%
Linearity	< 1.0	%
Output offset voltage @ I <sub>p</sub> = 0 (V <sub>off</sub> )	±25.0	mV
Temperature coefficient of V <sub>out</sub>	± 0.1	% of rdg/k
Frequency bandwidth @ -3 dB (fbw)	DC to 20	KHz
Dielectric strength Primary to o/p terminals	3	kVrms
Operating Temperature Range	- 25 to + 85	°C
Storage Temperature	- 25 to + 85	°C
Weight	70 Typ.	g

\*\* Specifications subject to change.

Note :

**Electrohms Pvt. Ltd.,**

Unit 1: #67/6-1, Ullas Theatre Road,  
Industrial suburb,  
Yeswanthpur,  
Bengaluru - 560 022, India.

www.electrohms.com  
e-mail: sales@electrohms.com

Unit 2: #129 EPIP 2nd phase,  
KIADB Industrial area,  
Whitefield,  
Bengaluru - 560 066, India.