

Product Data sheet : Current Transformer- CT1317

Date : 03.05.2013

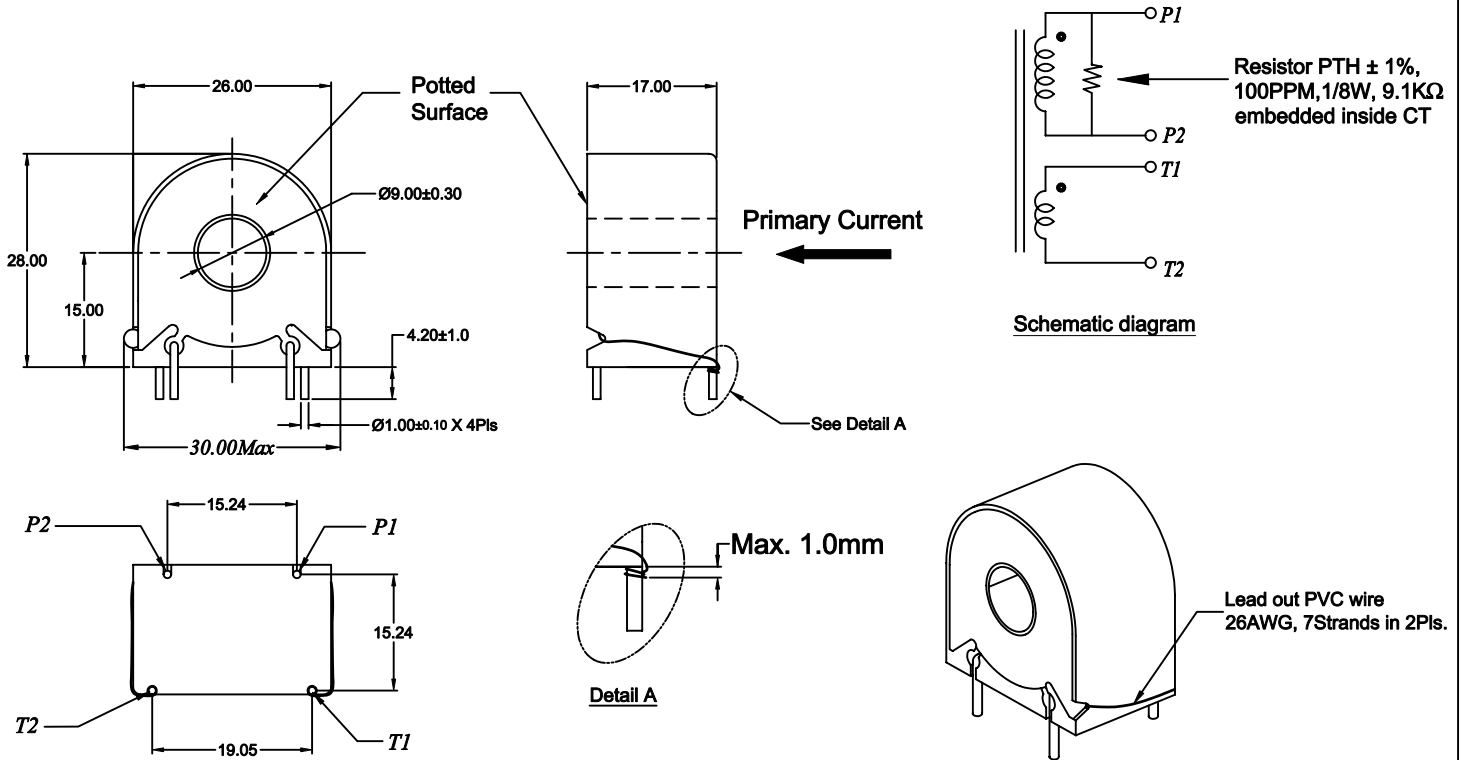
Rev.: 03

Page 1 of 1

Customer: ----

Customer's part No.: ---

MECHANICAL DIMENSIONS



Termination :

- P1 : Start of main winding
- P2 : Finish of main winding
- T1 : Start of 2 turn test winding
- T2 : Finish of 2 turn test winding

GENERAL TOL. ±0.5 mm	
ALL DIMENSIONS ARE IN 'mm'	SCALE -NTS

FEATURES :

- Encapsulated & P.C. Mountable.

SPECIFICATIONS @ 25° C

PARAMETERS	VALUES
Differential current	0.05 ±10 %Arms
Frequency of Operation	50/60 Hz
D C R of main winding	38-46 Ω
Turns Ratio of main winding	645 : 1
Test winding	2 turns
V output across P1-P2 @ 50mA, 50Hz primary current with 9.1kΩ embedded inside & shunted with 10kΩ	0.20 - 0.37 V rms
Recommended Secondary Burden	10K Ω (Resistive)
Operating Temperature Range	- 10 °C to + 70 °C.
Storage Temperature Range	- 10 °C to + 85 °C.