

Product Data sheet : Hall Effect Current Sensor - HD100...1K0T01

Date : 02.05.2015

Rev : 01

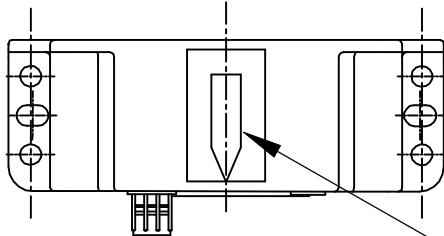
Page 1 of 3

Customer: ---

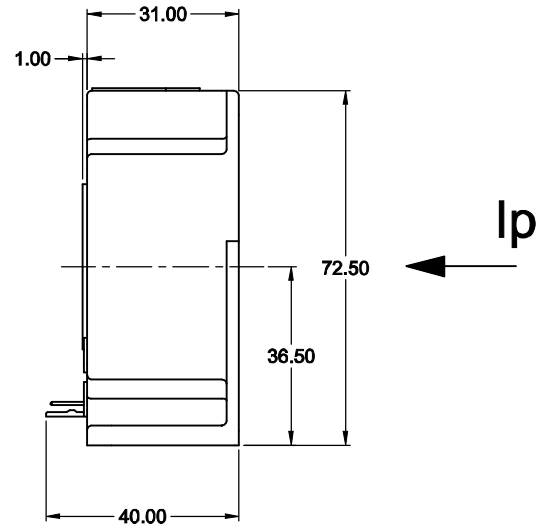
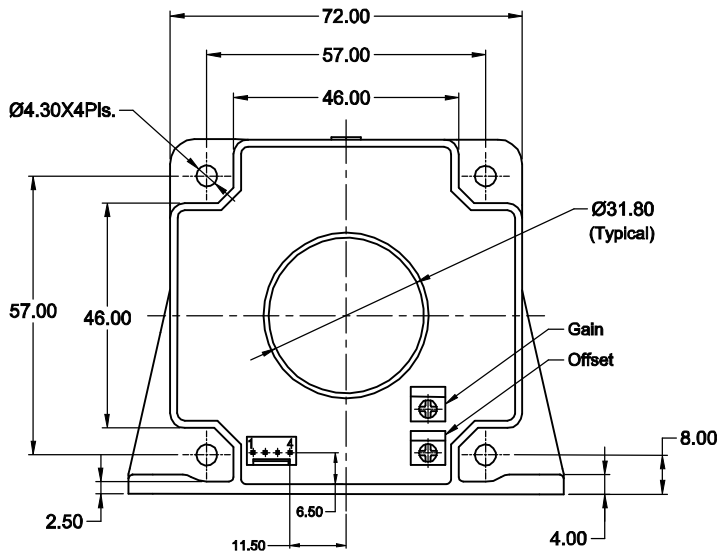
Customer's part No.: ---

Pb RoHS Compliant

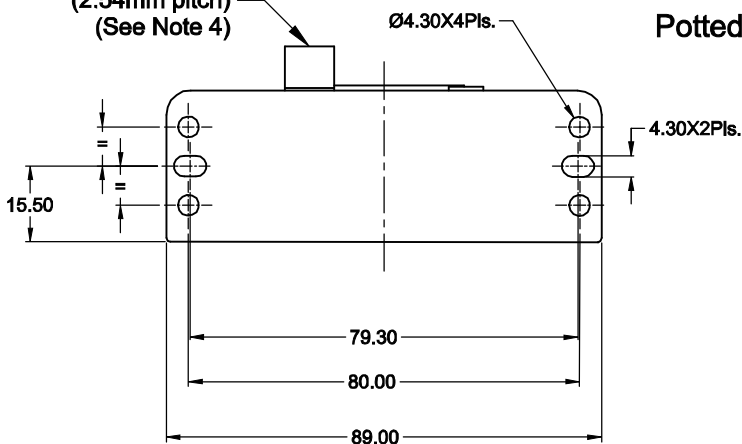
● MECHANICAL DIMENSIONS



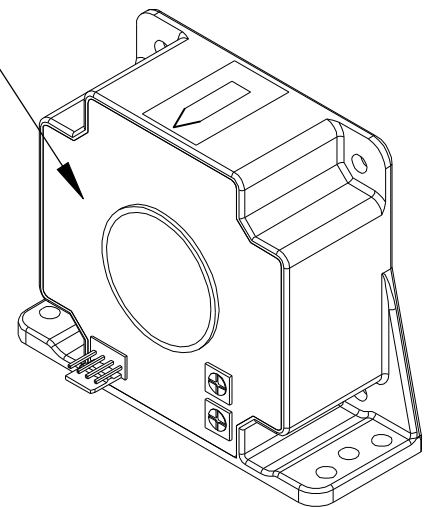
Ip Direction



4 pin Relimate Header
(2.54mm pitch)
(See Note 4)



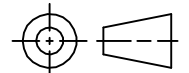
Potted surface



TERMINAL MARKING

- 1 : Supply Voltage (+Vcc)
- 2 : Supply Voltage (-Vee)
- 3 : Output (Vout)
- 4 : Ground (0V)

GENERAL TOL.
±0.5 mm



ALL DIMENSIONS
ARE IN 'mm'

SCALE -NTS

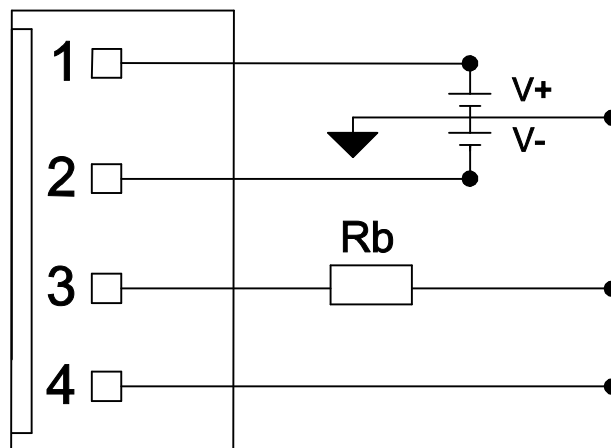
● APPLICATION :

Used for measurement of electric current, AC, DC, Pulsed in electrical & electronic equipment.

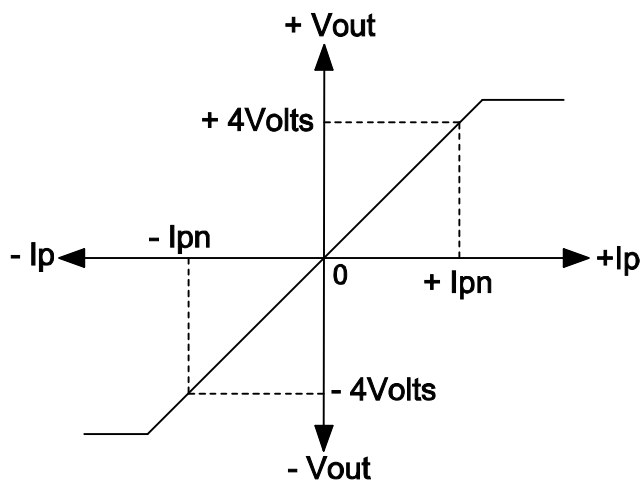
● FEATURES :

- Open loop current sensor.
- Voltage output.
- Panel Mountable.

● CONNECTION DIAGRAM



● INPUT & OUTPUT CHARACTERISTICS



+ Ip Indicates primary current flowing in the direction of the arrow

Product Data sheet : Hall Effect Current Sensor - HD100...1K0T01

Page 3 of 3

PRIMARY NOMINAL CURRENT I _{pn} (A)	PRIMARY MEASURING RANGE I _p (A)	PRODUCT CODE
100	± 300	HD100T01
200	± 600	HD200T01
300	± 900	HD300T01
400	± 1100	HD400T01
500	± 1200	HD500T01
600	± 1300	HD600T01
1000	± 1500	HD1K0T01

● SPECIFICATIONS @ 25° C **

PARAMETERS	VALUES	UNITS
Burden Resistance (R _b) ¹	10K (min.)	Ω
Voltage output @ I _{pn} (V _{out})	± 4.0 ±0.04	V
Supply Voltage (± 5%)	± 15	V
Current consumption @ ±15V (I _c)	< 25.0	mA
Isolation Resistance @500V DC (R _{is})	>500	MΩ
Accuracy @ I _{pn}	± 1.0	%
Linearity ²	< 0.5	% of I _{pn}
Output offset voltage @ I _p = 0 (V _{off})	< ± 10.0	mV
Hysteresis offset voltage @ I _{primary} = 0, after a primary current of I _{pn}	< ± 10.0	mV
Temperature coefficient of V _{out} (% of reading)	± 0.05	% / °K
Temperature coefficient of V _{off}	± 1.0	mV / °K
Response time 90% of I _{pn} step	3.0	μs
Frequency bandwidth @ -3 dB (fbw) ³	DC to 50	kHz
di/dt accurately followed	50	A/μs
Dielectric strength Primary to o/p terminals	3.5	kVrms
Creepage distance	20.60	mm
Clearance	14.0	mm
Operating Temperature Range	- 25 to + 85	°C
Storage Temperature	- 40 to + 85	°C
Weight	320 (Typical)	g

** Specifications subject to change.

Note :

1. To use R_b < 10K Ohms, contact us for more details.
2. Linearity calculation excludes electrical offset.
3. For small signals only.
4. As per customer request the mox connector will be assembled.

Electrohms Pvt. Ltd.,
 Unit 1: #67/6-1, Ullas Theatre Road,
 Industrial suburb,
 Yeswanthpur,
 Bengaluru - 560 022, India.

www.electrohms.com
 e-mail: sales@electrohms.com

Unit 2: #129 EPIP 2nd phase,
 KIADB Industrial area,
 Whitefield,
 Bengaluru - 560 066, India.