

Product Data sheet : Hall Effect Current Sensor for HEC1K0T01

Date : 25.04.2015

Rev : 01

Page 1 of 2

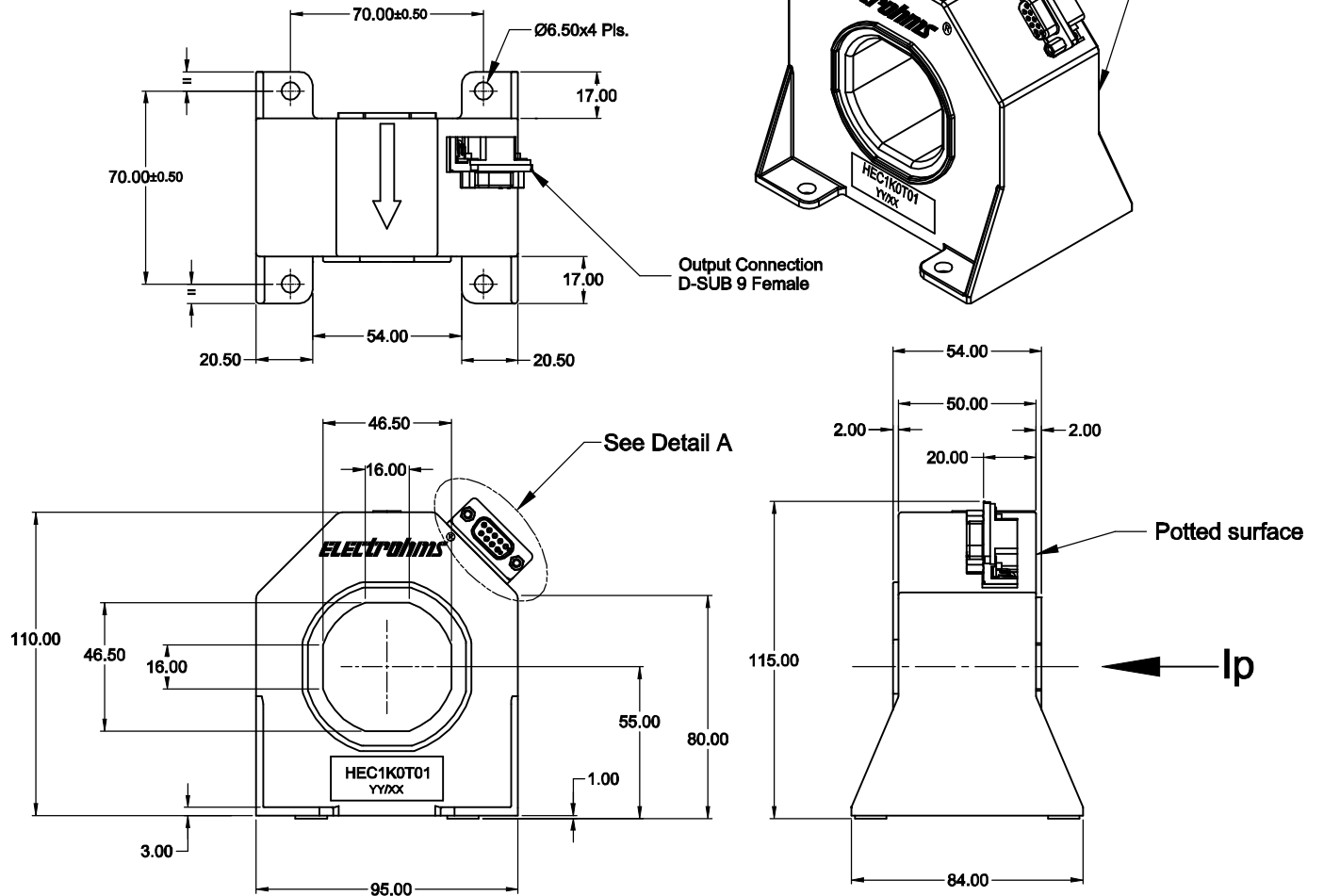
Customer : M/s Wind world

Customer's part No.: ---

RoHS Compliant

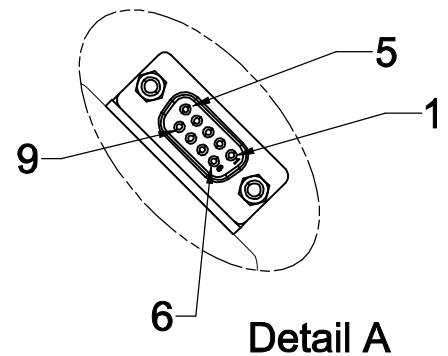
PROVISIONAL

● MECHANICAL DIMENSIONS



Connector Details :

- Terminal 1 : V+ (Supply Voltage)
- Terminal 2 : NC
- Terminal 3 : Output (O/P)
- Terminal 4 : NC
- Terminal 5 : V- (Supply Voltage)
- Terminal 6 : V+ (Supply Voltage)
- Terminal 7 : Output (O/P)
- Terminal 8 : Output (O/P)
- Terminal 9 : V- (Supply Voltage)



● APPLICATION :

Used for measurement of electric current, AC, DC, Pulsed in electrical & electronic equipment.

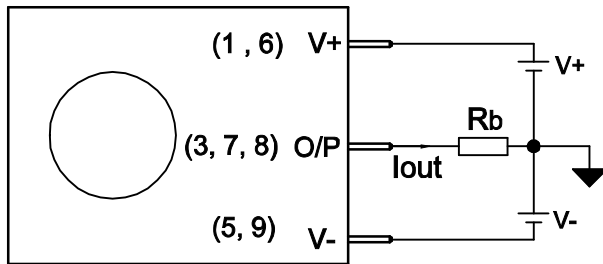
● FEATURES :

- Closed loop current sensor.
- Panel mounting type.
- Current output.

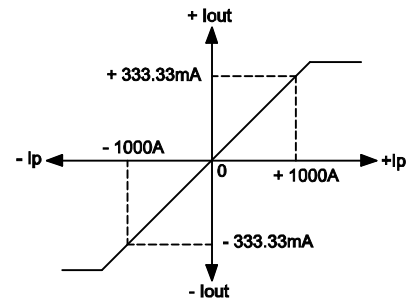
GENERAL TOL. ±1.0 mm	
ALL DIMENSIONS ARE IN 'mm'	SCALE -NTS

Product Data sheet : Hall Effect Current Sensor for HEC1K0T01

● CONNECTIONS DIAGRAM



● INPUT & OUTPUT CHARACTERISTICS



+ Ip Indicates primary current flowing in the direction of the arrow

● SPECIFICATIONS @ 25° C **

PARAMETERS	VALUES	UNITS
Primary Current Nominal (Ipn)	1000	Arms
Primary current, range (Ip)	± 1800	A
Burden Resistance (Rb)	Rb min. Rb max.	
with ± 15 V, @ ± 1000 A	0 22	Ω
@ ± 1800 A	0 5	
Conversion Ratio (K)	3000 : 1	—
Current output @ Ipn (Iout)	333.33	mA
Supply Voltage (V+ / V-), ±5%	+/- 15	V
Current consumption (Ic)	25 + Iout	mA
Accuracy @ Ipn	+/- 0.4	%
Linearity	< 0.1	%
Output offset current @ Ip = 0 (Ioffset)	< ±0.70	mA
Temperature variation of Ioffset (-10 to +70°C)	±0.70 (max.)	mA
Response time 90% of Ipn step	< 1.0	µs
Frequency bandwidth @ -3 dB (fbw)	DC to 150	kHz
di/dt accurately followed	> 50	A/µs
Secondary coil resistance @ Ta=70°C	17.0	Ω
Dielectric strength Pri to Output terminals	6.0	kVrms
Creepage distance	43.0 (min.)	mm
Clearance distance	39.60 (min.)	mm
Operating Temperature Range	- 10 to + 70	°C
Storage Temperature	- 25 to + 85	°C
Weight	550	g

** Specifications subject to change.

Note : ---