

Product Data sheet : Hall Effect Current Sensor - HE200P03

Date : 14.09.2016

Rev : 04

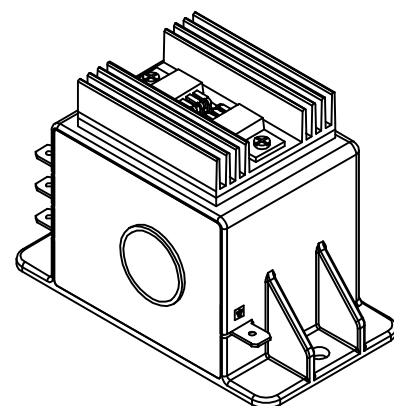
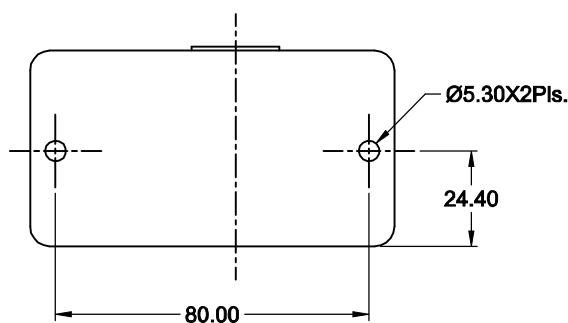
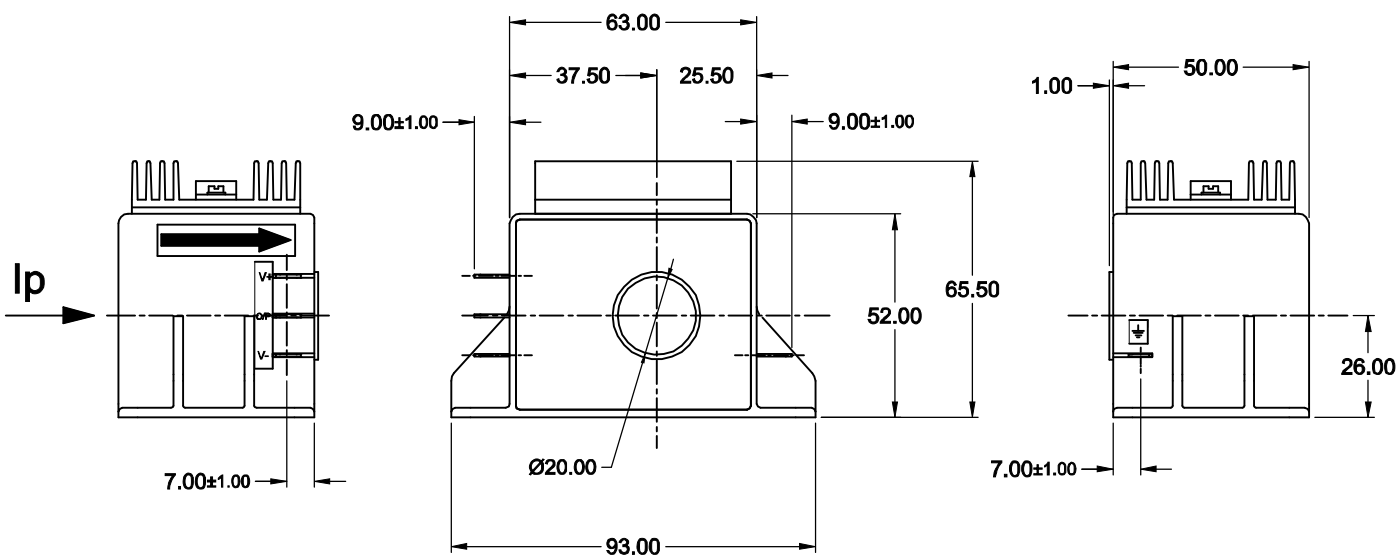
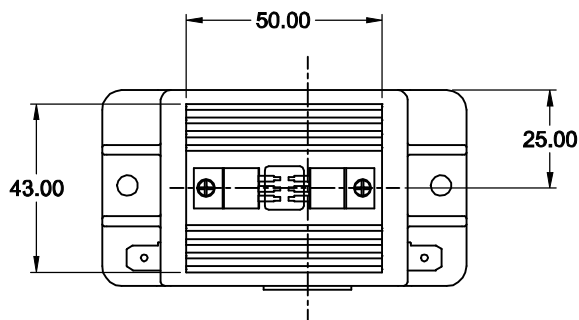
Page 1 of 2

Customer: ---

Customer's part No.: ---

Pb RoHS Compliant

● MECHANICAL DIMENSIONS



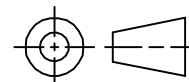
● APPLICATION :

Used for measurement of electric current, AC, DC, Pulsed in electrical & electronic equipment.

● FEATURES :

- Closed loop current sensor.
- Panel mounting type.
- Current output.

GENERAL TOL.
±0.5 mm



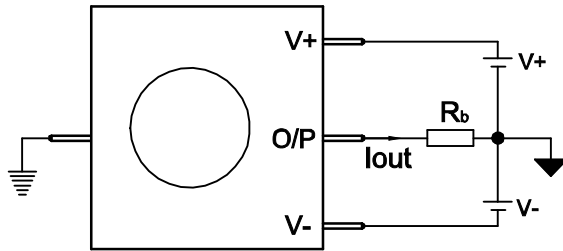
ALL DIMENSIONS
ARE IN 'mm'

SCALE -NTS

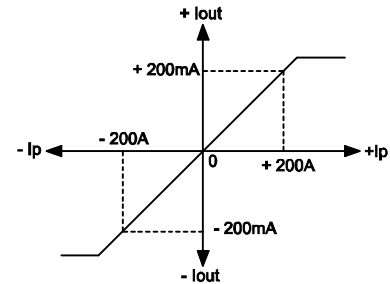
Product Data sheet : Hall Effect Current Sensor - HE200P03

Page 2 of 2

● CONNECTIONS DIAGRAM



● INPUT & OUTPUT CHARACTERISTICS



+ Ip Indicates primary current flowing in the direction of the arrow

● SPECIFICATIONS @ 25° C **

PARAMETERS	VALUES	UNITS
Primary Current Nominal (Ipn)	200	Arms
Primary current, range (Ip)	± 300	A
Burden Resistance (Rb) with ± 15 V, @ ± 200 A	30 (Typical)	Ω
Conversion Ratio (K)	1000 : 1	---
Current output @ Ipn (Iout)	200	mA
Supply Voltage (V+ / V-), ±5%	+/- 15	V
Current consumption @ ±15V (Ic)	20 + Is	mA
Accuracy @ Ipn	+/- 0.5	%
Linearity	< 0.08	%
Output offset current @ Ip = 0.	± 0.2 (Typical)	mA
Variation of Ioffset with respect to temp (+20 to +50°C)	± 0.08	mA
Response time 90% of Ipn step	< 1.0	μS
Frequency bandwidth @ -1dB (fbw)	DC to 150	kHz
Magnetization after excursion @ ± Ipn	< 0.008	mA
di/dt accurately followed	>50	A/μs
Secondary coil resistance	27 (Typical)	Ω
Dielectric strength between Primary & Secondary + Shield	4.0 (See note 1)	kVrms
Dielectric strength between Secondary & Shield	500	Vrms
Operating Temperature Range	+ 20 to + 50	°C
Storage Temperature	- 25 to + 70	°C
Weight	340	g

** Specifications subject to change.

Notes : (1) This will depend upon primary conductor insulation type & thickness.