

## Product Data sheet : Hall Effect Current Sensor for HEB200T01

Date : 18.06.2015

Rev : 01

Page 1 of 2

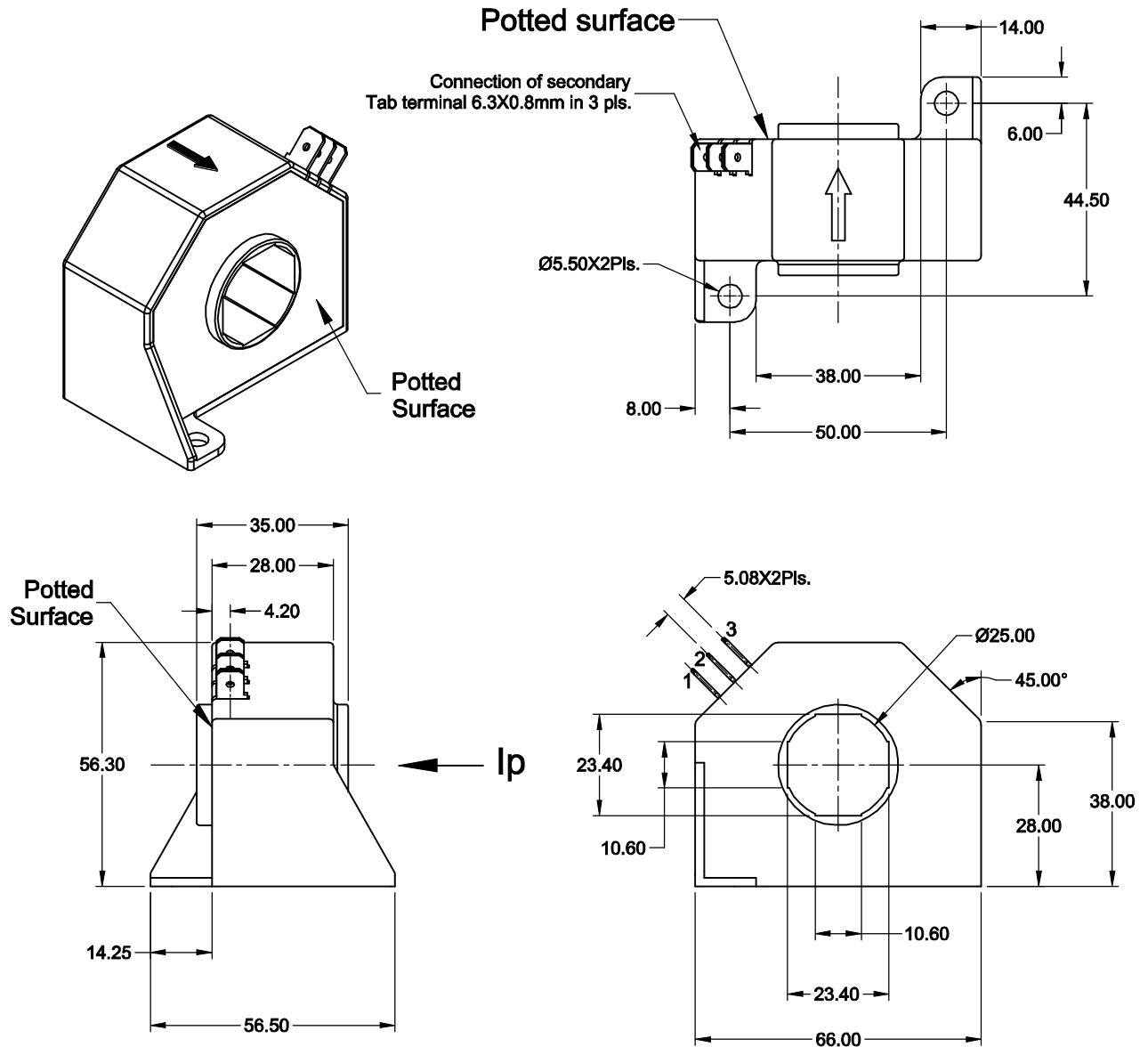
Customer : M/s Wind world

Customer's part No.: - - -

**Pb** RoHS Compliant

**PROVISIONAL**

### ● MECHANICAL DIMENSIONS



- Pin 1 : V+
- Pin 2 : Output (O/P)
- Pin 3 : V-

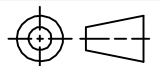
### ● APPLICATION :

Used for measurement of electric current, AC, DC, Pulsed in electrical & electronic equipment.

### ● FEATURES :

- Closed loop current sensor.
- Panel mounting type.
- Current output.

GENERAL TOL.  
±0.50 mm

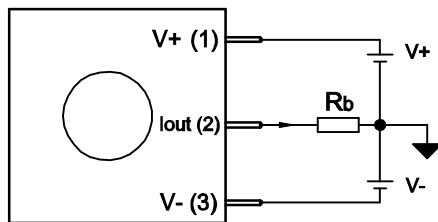


ALL DIMENSIONS  
ARE IN 'mm'

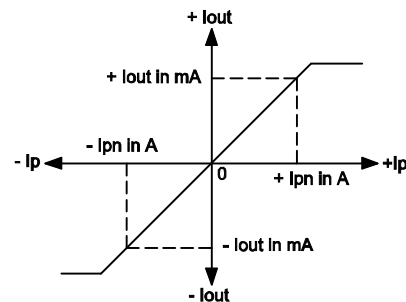
SCALE -NTS

# Product Data sheet : Hall Effect Current Sensor for HEB200T01

## ● CONNECTIONS DIAGRAM



## ● INPUT & OUTPUT CHARACTERISTICS



+ Ip Indicates primary current flowing in the direction of the arrow

## ● SPECIFICATIONS @ 25° C \*\*

PARAMETERS	VALUES	UNITS
Primary Current Nominal (Ipn)	200	A
Primary current, range (Ip)	± 300	A
Burden Resistance (Rb)	TA = 70°C      TA = 80°C	
With ± 12V      @ ± 200 A	0...68      0...66	Ω
@ ± 300 A	0...33      0...30	
With ± 15V      @ ± 200 A	5...95      5...93	
@ ± 300 A	5...50      5...49	
Conversion Ratio (K)	2000 : 1	—
Current output @ Ipn (Iout)	100	mA
Supply Voltage (V+ / V-), ±5%	+/- 12 to +/-15	V
Current consumption @ ±15V (Ic)	20 + Iout	mA
Accuracy @ Ipn	+/- 0.80	%
Linearity	≤ 0.1	%
Output offset current @ Ip = 0.	< ±0.15	mA
Temperature variation of Iout (- 10 to + 85°C)	± 0.30 Max.	mA
Residual Current @ Ip = 0, Overload 3 X Ipn	± 0.50 Max.	mA
Response time 90% of Ipn step	< 1.0	μS
di/dt Accurately followed	> 100	A/μs
Frequency bandwidth @ -3dB (fbw)	DC to 100	kHz
Secondary coil resistance	25 (Typical)	Ω
Dielectric strength Pri to Output terminals	3.0	kVrms
Operating Temperature Range	- 10 to + 85	°C
Storage Temperature	- 25 to + 90	°C
Weight	180	g

\*\* Specifications subject to change.

Note : ---