

## Product Data sheet : Hall Effect Current Sensor for HEA500T01

Date : 25.04.2015

Rev : 01

Page 1 of 2

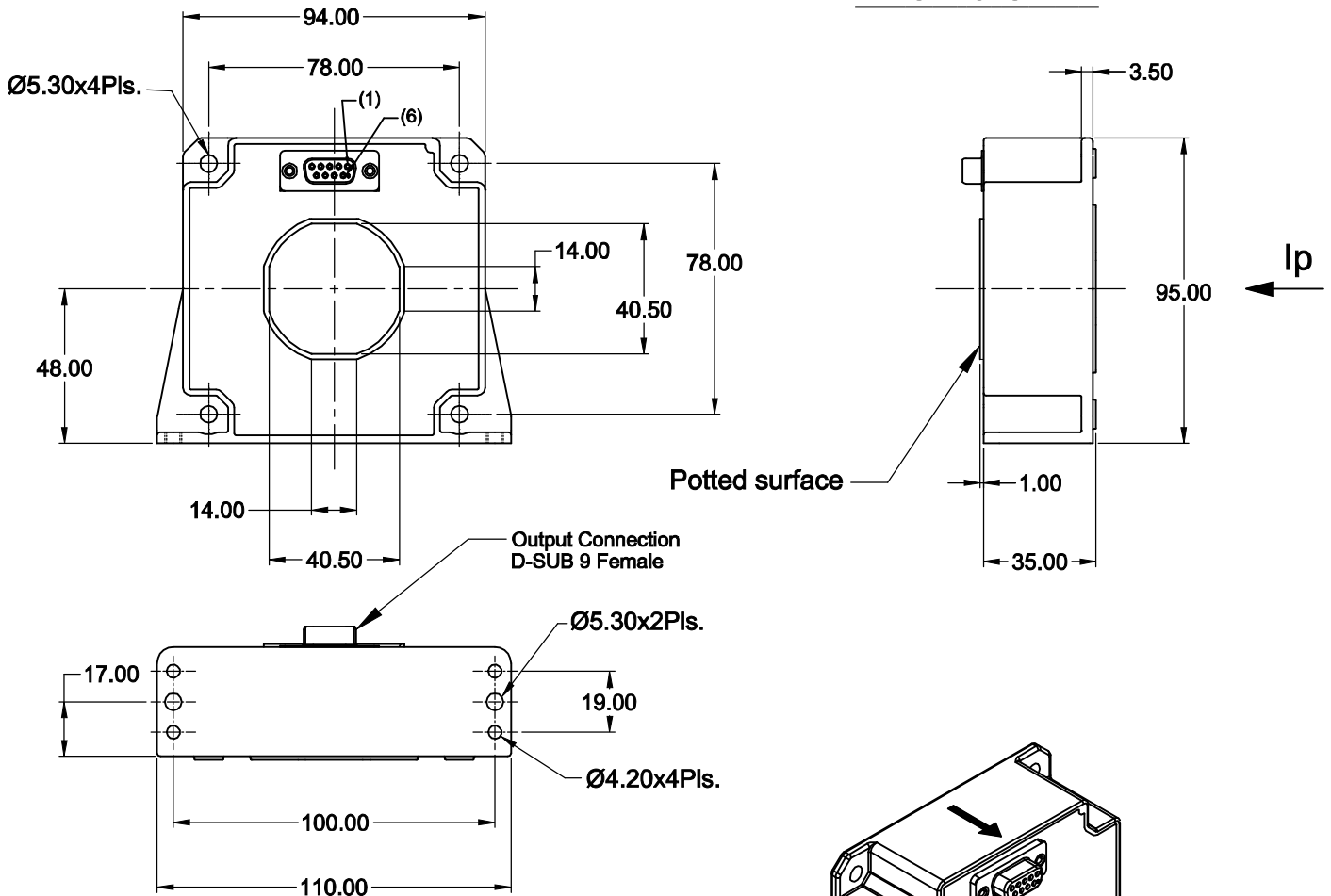
Customer : M/s Wind world

Customer's part No.:

**Pb** RoHS Compliant

### ● MECHANICAL DIMENSIONS

PROVISIONAL



### Secondary Terminals :

- Terminal 1 : V+ (Supply Voltage)
- Terminal 2 : NC
- Terminal 3 : Output (O/P)
- Terminal 4 : NC
- Terminal 5 : V- (Supply Voltage)
- Terminal 6 : V+ (Supply Voltage)
- Terminal 7 : Output (O/P)
- Terminal 8 : Output (O/P)
- Terminal 9 : V- (Supply Voltage)

### ● APPLICATION :

Used for measurement of electric current, AC, DC, Pulsed in electrical & electronic equipment.

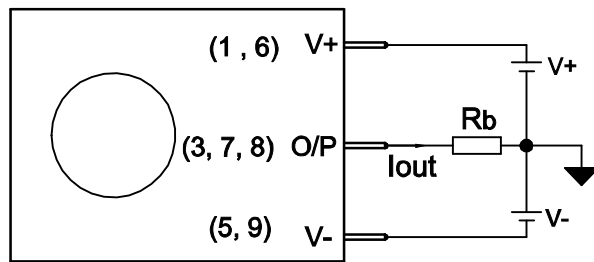
### ● FEATURES :

- Closed loop current sensor.
- Flange mounting type.
- Current output.

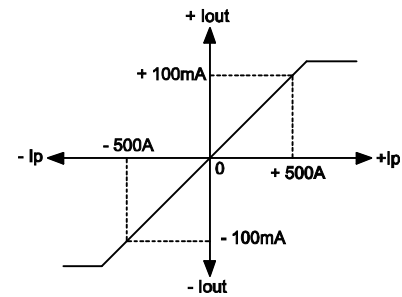
GENERAL TOL. ± 1.0 mm	
ALL DIMENSIONS ARE IN 'mm'	SCALE -NTS

# Product Data sheet : Hall Effect Current Sensor for HEA500T01

## ● CONNECTIONS DIAGRAM



## ● INPUT & OUTPUT CHARACTERISTICS



+ Ip Indicates primary current flowing in the direction of the arrow

## ● SPECIFICATIONS @ 25° C \*\*

PARAMETERS	VALUES	UNITS
Primary Current Nominal (Ipn)	500	Arms
Primary current, range (Ip)	± 800	A
Burden Resistance (Rb)	Rb min.      Rb max.	Ω
with ± 12 V, @ ± 500 A	0              50	
@ ± 800 A	0              10	
with ± 18V, @ ± 500 A	0              100	
@ ± 800 A	0              45	
Conversion Ratio (K)	5000 : 1	—
Current output @ Ipn (Iout)	100	mA
Supply Voltage (V+ / V-), ±5%	+/- 12 to +/- 18	V
Current consumption @ ±15V (Ic)	25 + Iout	mA
Accuracy @ Ipn	+/- 0.6	%
Linearity	< 0.1	%
Output offset current @ Ip = 0 (Ioffset)	< ±0.40	mA
Temperature variation of Ioffset (-10 to +70°C)	±0.40 (max.)	mA
Response time 90% of Ipn step	< 1.0	µs
Frequency bandwidth @ -3 dB (fbw)	DC to 150	kHz
di/dt accurately followed	> 100	A/µs
Secondary coil resistance @70° C	55.0	Ω
Dielectric strength Pri to Output terminals	3.0	kVrms
Operating Temperature Range	- 10 to + 70	°C
Storage Temperature	- 25 to + 85	°C
Weight	550	g

\*\* Specifications subject to change.

Note : - - -