

Product Data sheet : Hall Effect Current Sensor - HJ050...500T02

Date : 10.01.2015

Rev : 02

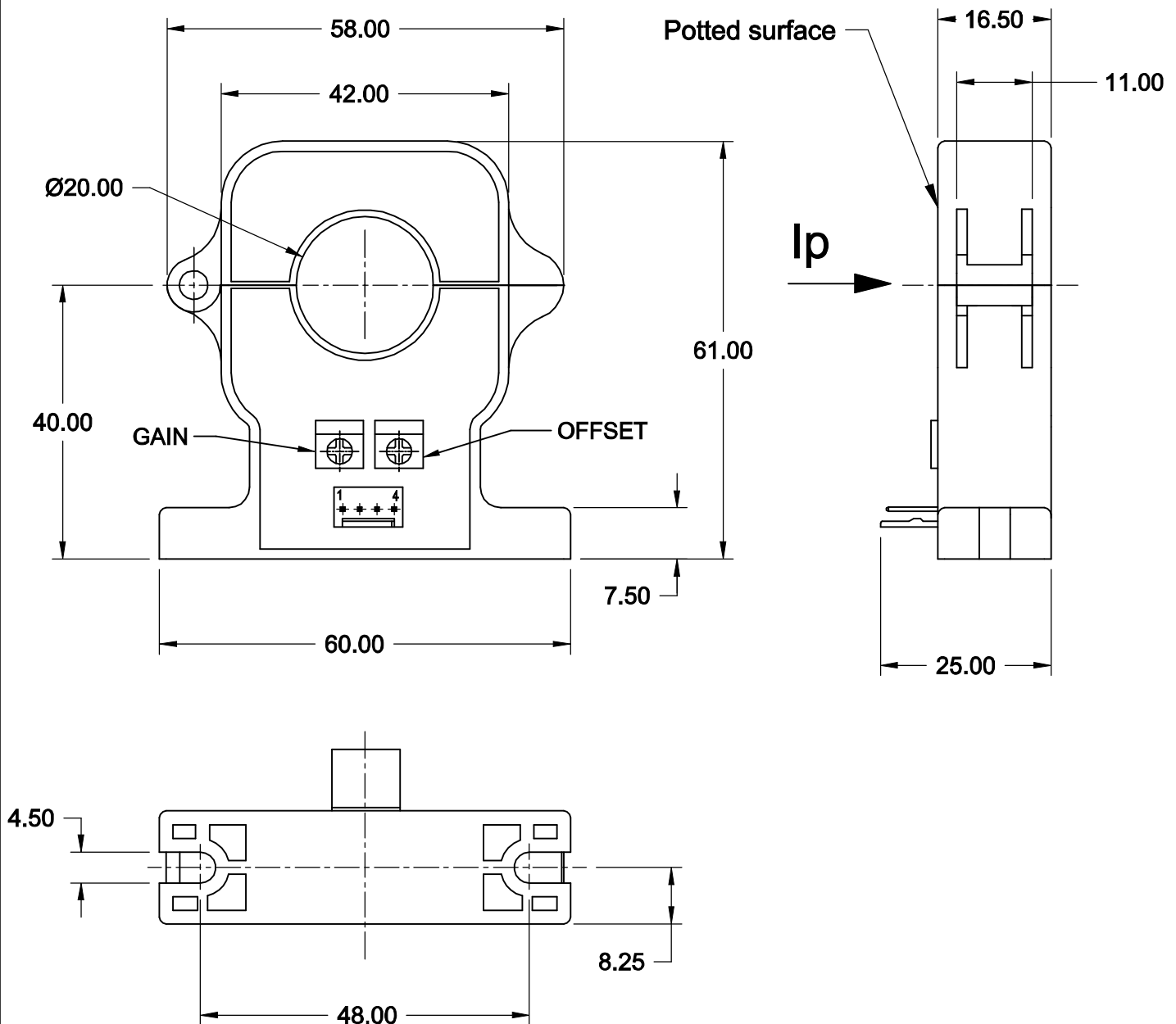
Page 1 of 3

Customer: Standard

Customer's part No.: ---

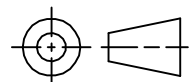
Pb RoHS Compliant

● MECHANICAL DIMENSIONS



- Pin 1 : Vref. (IN/OUT)
- Pin 2 : Output
- Pin 3 : Ground (0V)
- Pin 4 : Supply Voltage(+Vcc)

GENERAL TOL.
±0.5 mm



ALL DIMENSIONS
ARE IN 'mm'

SCALE -NTS

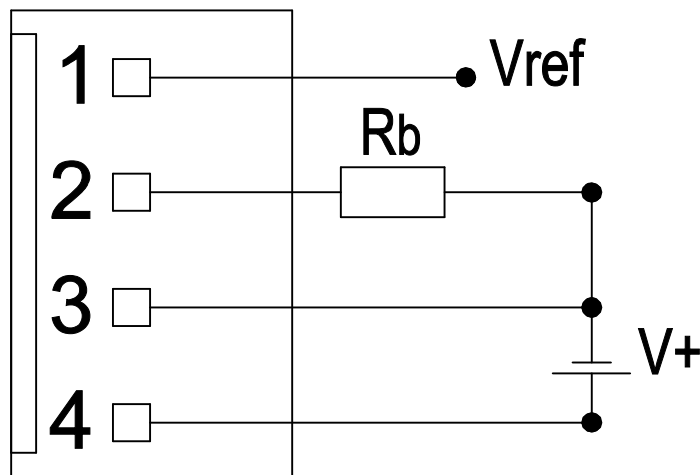
● APPLICATION :

Used for measurement of electric current, AC, DC, Pulsed in electrical & electronic equipment.

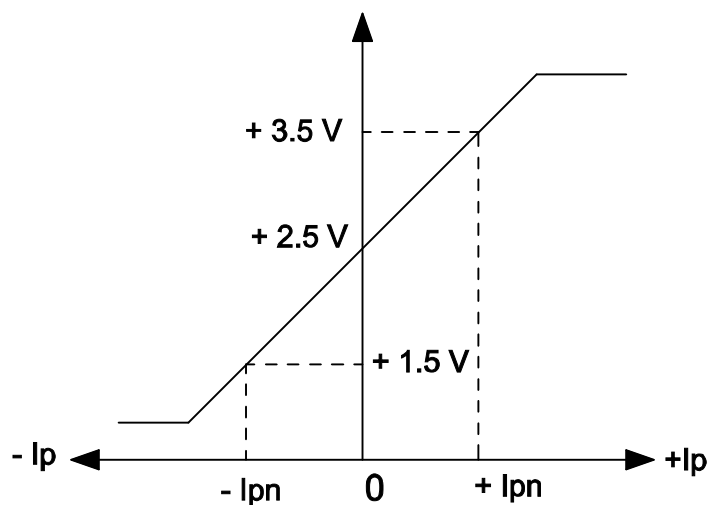
● FEATURES :

- Split core type
- Open loop current sensor.
- Voltage output.
- Flange Mountable.

● CONNECTION DIAGRAM



● INPUT & OUTPUT CHARACTERISTICS



+ Ip Indicates primary current flowing in the direction of the arrow

Product Data sheet : Hall Effect Current Sensor - HJ050...500T02

Page 3 of 3

PRIMARY NOMINAL CURRENT I _{pn} (A)	PRIMARY MEASURING RANGE I _p (A)	PRODUCT CODE
50	± 100	HJ050T02
100	± 200	HJ100T02
200	± 400	HJ200T02
300	± 600	HJ300T02
400	± 800	HJ400T02
500	± 800	HJ500T02

● SPECIFICATIONS @ 25° C **

PARAMETERS	VALUES	UNITS
Burden Resistance (R _b)	2000 (min.)	Ω
Reference Voltage (V _{ref.})	2.50 ± 0.025	V
Voltage output @ I _{pn} (V _{out})	2.5 ±1.0	V
Supply Voltage (V ₊) ±5%	+5.0	V
Current consumption @ +5V (I _c)	18 Typical	mA
Accuracy	± 2.0	%
Linearity	< 1.0	%
Output offset voltage @ I _p = 0 (V _{off})	V _{ref.} ± 0.025	V
Temperature coefficient of V _{out}	± 0.1	% of rdg/k
Frequency bandwidth @ -3 dB (fbw)	DC to 20	kHz
Dielectric strength Primary to o/p terminals	3	kVrms
Operating Temperature Range	- 25 to + 85	°C
Storage Temperature	- 40 to + 100	°C
Weight	70 Typ.	g

** Specifications subject to change.

Note :

Electrohms Pvt. Ltd.,

Unit 1: #67/6-1, Ullas Theatre Road,
Industrial suburb,
Yeswanthpur,
Bengaluru - 560 022, India.

www.electrohms.com
e-mail: sales@electrohms.com

Unit 2: #129 EPIP 2nd phase,
KIADB Industrial area,
Whitefield,
Bengaluru - 560 066, India.