

I_{PN} = 60A**Features**

- Low amplitude error & phase error

Advantage

- Excellent accuracy
- Very good linearity
- Low temperature drift

Applications

- Metering application
- Relay application

Application domain

- Commercial
- Industrial

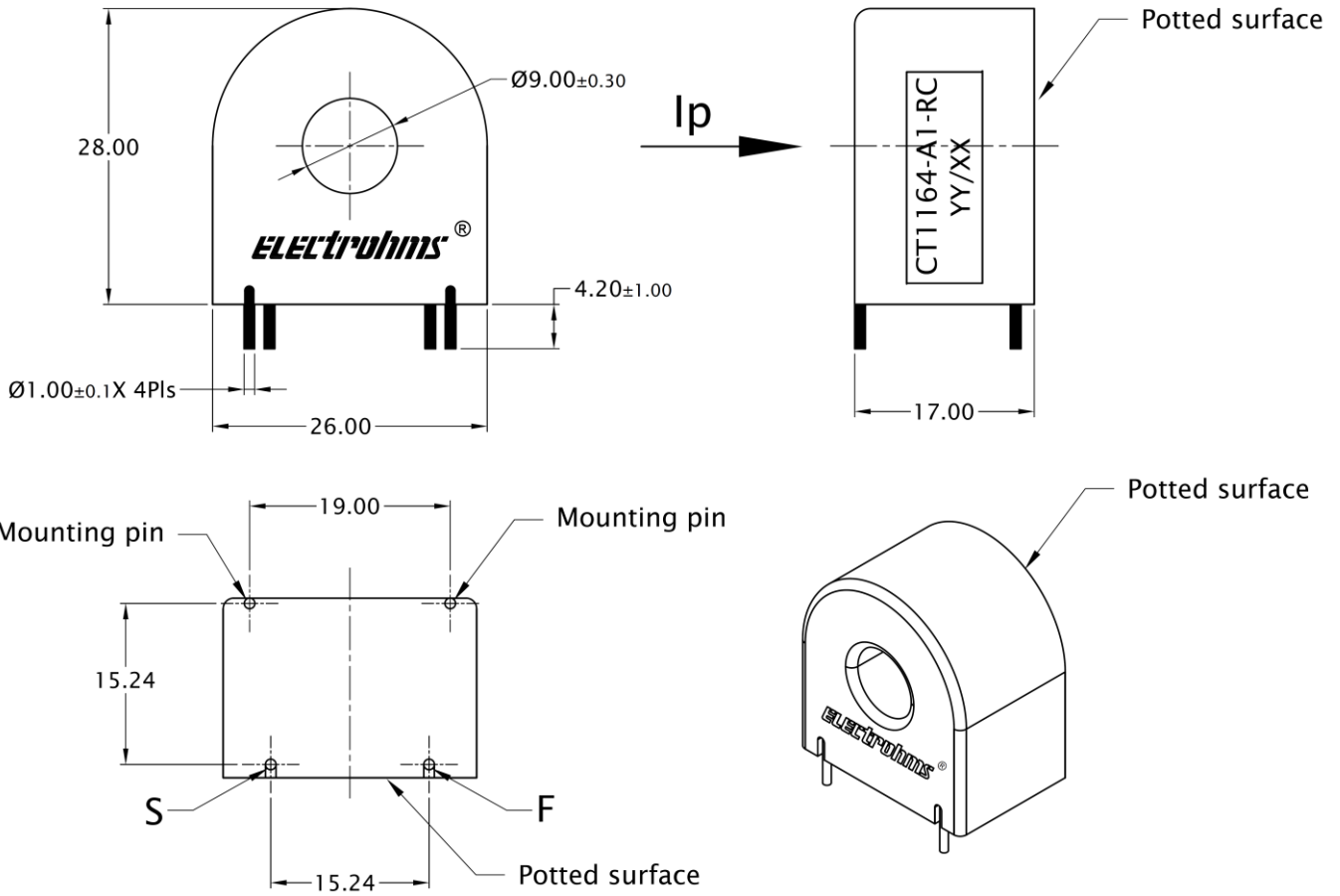
Specifications @ 25°C

Parameters	Symbol	Value	Units
Primary current range	I _p	0.25-60	Arms
Operating frequency	f	50/60	Hz
Half sine wave rectified, current amplitude	----	---	---
Secondary turns	N _s	2500	
Secondary winding resistance	R _s	59 - 72	Ω
Recommended secondary burden resistance	R _b	37.5	Ω
Amplitude error	AE	+/-0.1	%
Phase error	PE	<0.2	°
Inductance @ 0.3Vrms, 100Hz,	L	≥ 125	H
Operating temperature range	T _{opr}	-40 to +85	°C
Storage temperature range	T _{stg}	-40 to +85	°C
Dielectric strength between rod inserted in the primary opening and secondary terminals, @ 50Hz, 60 Seconds	V _d	4.0	kVrms
Mass	m	27	g

Amplitude error (AE) and phase error (PE) values are guaranteed with recommended secondary burden resistance values. Contact ELECTROHMS design group for use of burden other than recommended secondary burden resistance.

Mechanical dimensions

GENERAL TOL. ±0.5 mm	
ALL DIMENSIONS ARE IN 'mm'	SCALE -NTS



Termination Details	
S	Start
F	Finish

Notes:

- The start & finish of the CT will be as shown in the figure, when primary current flows in the direction of arrow.
- Also available with UL approved materials on request.

Safety



- When operating the current transformer, primary busbar can carry hazardous voltage.
- Risk of electrical shock when current transformer is operated with secondary in open condition with primary winding energised.

General information:

Electrohms reserves the right to make modifications on products for improvements without prior notice.