

Features

- Split core type
- Open loop current sensor
- Voltage output
- Panel mounting type

Advantage

- Good linearity
- No insertion losses
- Low power consumption

Applications

- Used for measurement of electric DC current
- Pulsed in electric & electronic equipment

Application domain

- Commercial
- Industrial

Standards

- EN 50178
- UL508

Insulation Characteristics

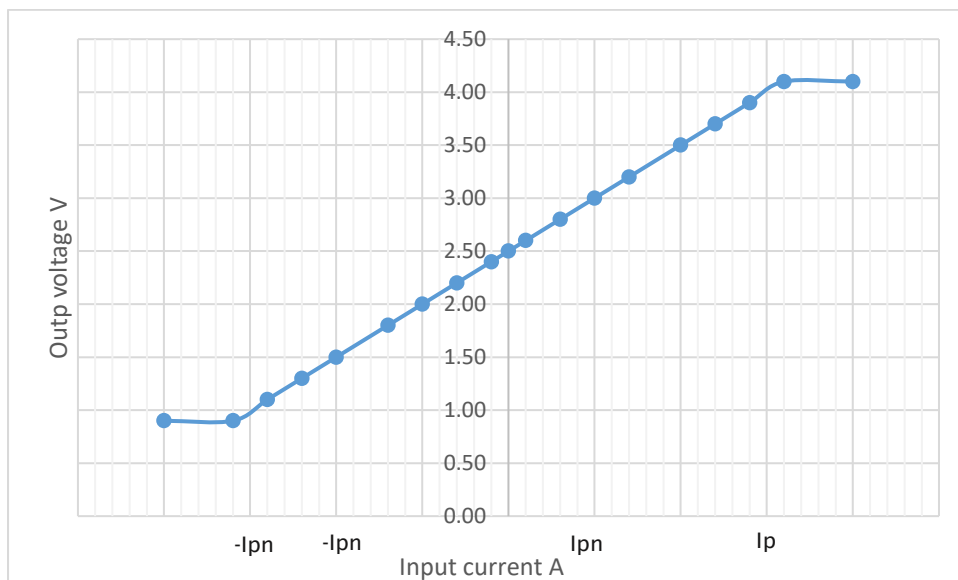
Parameters	Symbol	Value	Units
Dielectric strength between primary and secondary terminals, 50Hz, 60 seconds	V_d	3.0	kV
Comparative tracking index	CTI	250	V
Insulation Resistance at 500 VDC	R_{IS}	>100	MΩ
Creepage distance		23.80	mm
Clearance distance		22.60	mm

Product Range

Product code	Primary nominal current (I_{pn})	Primary measuring range (I_p)
HJ300T02-CB10	300A	$\pm 600A$
HJ400T02-CB10	400A	$\pm 800A$
HJ500T02-CB10	500A	$\pm 800A$

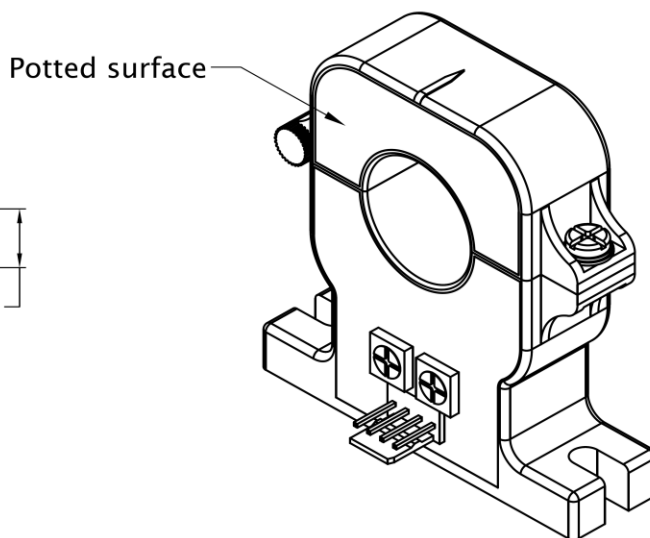
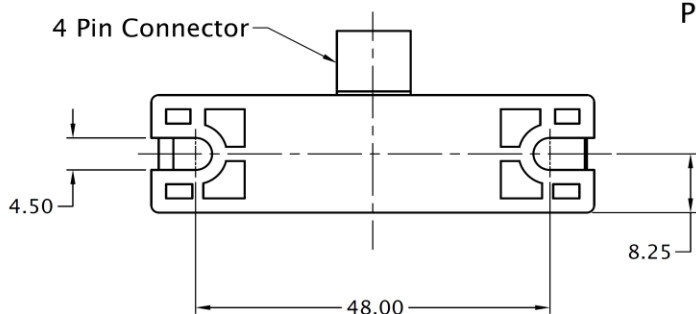
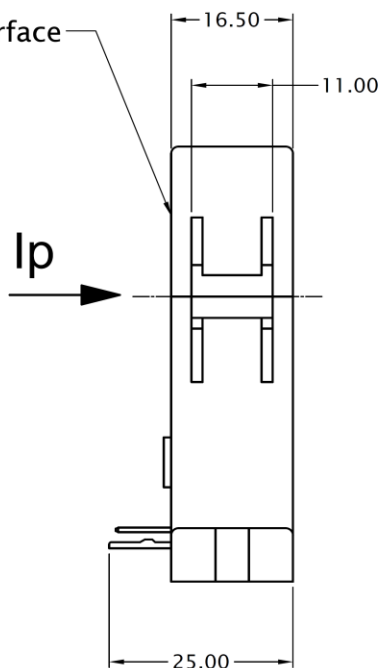
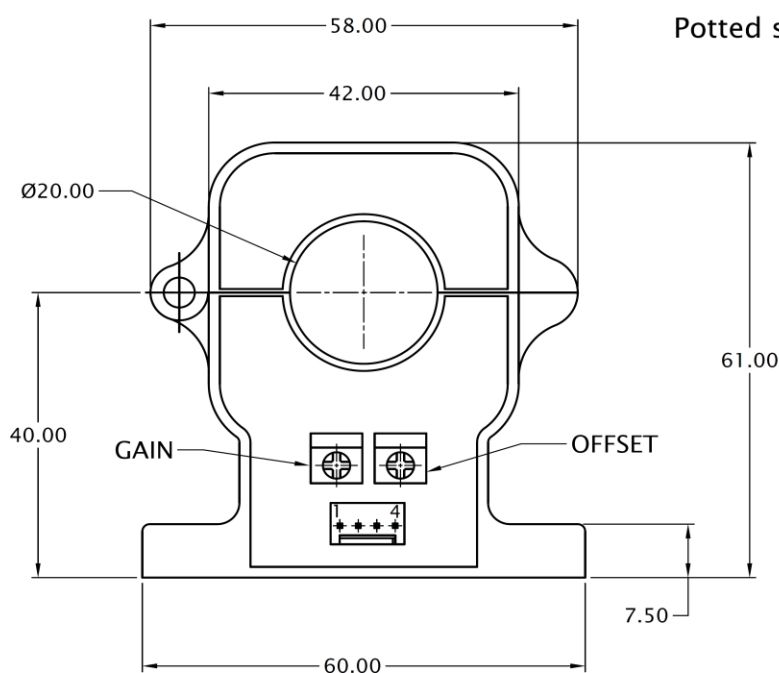
Specifications (Unless otherwise specified temperature is 25°C)

Parameters	Symbol	Condition	Min	Typ	Max	Units
Burden resistance	R_b		10			k Ω
Output offset voltage	V_{off}	at $I_p = 0$		2.5 ± 0.025		V
Reference voltage	V_{ref}			2.5 ± 0.025		V
Output voltage	V_{out}	at $\pm I_{pn}$, $R_b = 10k\Omega$,		2.5 ± 1.0		V
Supply voltage ($\pm 5\%$)	V_s			+5.0		V
Current consumption at at +5V	I_c			18		mA
Accuracy at I_{pn} (Excluding offset)	X_G			± 2		%
Linearity error	Σ_L	-25 to 85 °C		<1.0		%
Temperature coefficient of V_{out}	TV_{out}	-25 to +85 °C		± 0.1		%/k
Reaction time at 90% Of I_{pn}	T_{ra}			---		
Frequency bandwidth at -3db di/dt accurately followed	BW di/dt		DC		20	KHz
Ambient operating temperature	T_A			-25 to +85		°C
Ambient storage temperature	T_S			-40 to +100		°C
Mass	m			78		g

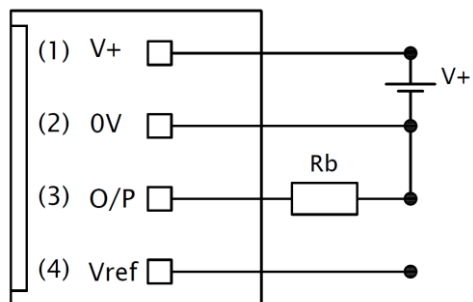
Input & Output Characteristics

Mechanical dimensions

GENERAL TOL. ±0.5 mm	
ALL DIMENSIONS ARE IN 'mm'	SCALE - NTS



Connection Diagram



- Connector on the product: Connector header, Part no-22-04-1041, Molex
- Suggested mating connector: Connector housing, Part no-22-01-1042, Molex, & corresponding pin part no: 08-50-0114, Molex
- Sensor mounting: 2 Slots X Ø 4.5mm, M4 steel screws, recommended fastening torque 3 N-m
- It is recommended to centrally locate the current carrying conductor or completely fill the central opening for optimum performance
- Output increases when current (I_p) flows in the direction of arrow
- Ensure proper connection of Power supply to avoid damage to the Sensor

Safety



- This Sensor must be used in electric/electronic equipment with respect to applicable standards and safety requirements in accordance with the manufacturer's operating instructions.



- Caution, risk of electrical shock
- When operating the Sensor, certain parts of the module can carry hazardous voltage (eg. primary busbar, power supply).
- Ignoring this warning can lead to injury and/or cause serious damage.
- A protective housing or additional shield could be used.
- Over currents ($\gg I_{PN}$) can cause an additional voltage offset due to magnetic remanence.
- The temperature of the primary conductor shall not exceed 100 °C.
- This Sensors must be used in electrical or electronic systems as per the applicable standards.
- Protect non-isolated high-voltage current carrying parts against direct contact (e.g. with a protective housing)
- When installing the sensor, ensure that the safe separation (between primary circuit and secondary circuit) is maintained over the whole circuits and their connections.

General information:

Electrohms the reserves right to make modifications on products for improvements without prior notice.